

Patents, Designs, and Trade Marks

SUPPLEMENT

TO THE

NEW ZEALAND GAZETTE

OF

THURSDAY, JUNE 1, 1911.

Published by Authority.

WELLINGTON, THURSDAY, JUNE 1, 1911.

CONTENTS.

	Page
International and Intercolonial Arrangements for the Mutual Protection of Patents and Trade Marks ..	1855
Patent Agent registered	1856
Applications for Letters Patent filed	1856
Complete Specifications filed after Provisionals ..	1857
Complete Specifications accepted	1857
Provisional Specifications accepted	1862
Letters Patent sealed	1862
Letters Patent on which Fees have been paid ..	1863
Subsequent Proprietors of Letters Patent registered	1863
Notice of Request to amend Application for Letters Patent	1863
Applications for Letters Patent abandoned ..	1863
Applications for Letters Patent void	1863
Applications for Letters Patent lapsed	1864
Letters Patent void	1864
Design registered	1864
Applications for Trade Marks filed	1864
Applications for Registration of Trade Marks ..	1864
Trade Marks registered	1870
Trade Mark Renewal Fees paid	1871
Trade Marks removed from the Register	1871
Subsequent Proprietors of Trade Marks registered ..	1871

International and Intercolonial Arrangements for the Mutual Protection of Patents and Trade Marks.

INTERNATIONAL CONVENTION.

THE following countries now belong to the Convention :—

Australia.	Hungary.
Austria.	Italy.
Belgium.	Japan.
Brazil.	Mexico.
Ceylon.	New Zealand.
Cuba.	Norway.
Denmark and Faroe Islands.	Portugal, with the Azores and Madeira.
Dominican Republic.	Servia.
France, with Algeria and colonies.	Spain.
Germany.	Sweden.
Great Britain.	Switzerland.
Holland, with East Indian colonies, Curaçoa, and Surinam.*	Trinidad and Tobago.
	Tunis.
	United States of America.

* Trade marks only.

Separate arrangements have been made between Australia and New Zealand.

Particulars of the Convention and of such arrangements may be seen in the following *Gazettes* :—

Notification of adhesion of New Zealand to the Convention, with text thereof (in English), in the *Gazette* of 26th November, 1891; notification of adherence of New Zealand to the Additional Act of the Convention, in *Patents Supplement to Gazette* No. 101, of the 16th November, 1905; Order in Council applying section 103 of the Imperial Act to New Zealand, in *Gazette* No. 27, of the 15th May, 1890; Orders in Council containing arrangements between Australia and New Zealand, in *Patent Supplements to the Gazette* Nos. 22, of the 9th March, 1905, and 38, of the 20th April, 1905.

Patent Agent registered.

Patent Office, Wellington, 8th June, 1911.

IT is hereby notified that

EDMOND PATRICK O'DONNELL,

of 11 Grey Street, Wellington, in the Dominion of New Zealand, has been registered as a Patent Agent.

Applications for Letters Patent filed.

LIST of applications for Letters Patent filed. (Where a complete specification accompanies an application an asterisk is affixed; in all other cases a provisional specification has been lodged. In all cases where the applicant is not the inventor the name of the latter appears in italics in brackets. † Denotes an application under the International and Intercolonial Arrangements.)

Wilson, J., Auckland, N.Z.	Concrete structure* ; 29526 ; 11th May.
Grace, T., Sydney, N.S.W.	Wheel* ; 29527 ; 11th May.
Banes, E. E., Sydney, N.S.W.	Sulphide-ore treatment* ; 29528 ; 30th June, 1910.†
Banes, E. E., Sydney, N.S.W.	Ore-furnace tuyers* ; 29529 ; 27th October, 1910.†
Best, P. H., Nelson, N.Z.	Milking-machine teat-cup ; 29530 ; 5th May.
Reeves, W., Henderson, N.Z.	Swingletree ; 29531 ; 12th May.
Toon, C., Christchurch, N.Z.	Gas-main closing ; 29532 ; 12th May.
De Montalk, R. W., Auckland, N.Z.	Studs and boards, construction of* ; 29533 ; 12th May.
Simpson, R. M., Wellington, N.Z.	Centrifugal separator ; 29534 ; 12th May.
Behrns, A., Rakaiia, N.Z.	Turnip digger and slicer ; 29535 ; 11th May.
Townley, J., Gisborne, N.Z.	Extension table* ; 29536 ; 9th May.
Sharples, W. J., Gisborne, N.Z.	Extension table* ; 29536 ; 9th May.
Powell, J. C., Timaru, N.Z.	Window show-stand ; 29537 ; 10th May.
Walker, J. A., Auckland, N.Z.	Closet-pan cover ; 29538 ; 11th May.
Fountain, W. G., Hamilton, N.Z.	Milk-releaser ; 29539 ; 12th May.
Paterson, W. J., Hamilton, N.Z.	Milk-releaser ; 29539 ; 12th May.
Andrew, N., Wanganui, N.Z. (Campbell Gas Engine Company, Limited)	Generator and washer for N.Z. lignites and coals ; 29540 ; 12th May.
Blythe, A. J. S., Te Awamutu, N.Z.	Floor-polish* ; 29541 ; 15th May.
McGill, D., Petone, N.Z.	Flax-treatment ; 29542 ; 15th May.
Hogg, W. M., Lawrence, N.Z.	Plough-coulter ; 29543 ; 16th May.
Hogg, F. M., Evan's Flat, N.Z.	Plough-coulter ; 29543 ; 16th May.
Bevan Lock Nut Company, Limited, London, Eng. (Wilks, J. A.)	Nut-lock* ; 29544 ; 16th May.
Westinghouse, G., Pittsburg, U.S.A.	Power-transmission mechanism* ; 29545 ; 16th May.
Carson, A. A., Wellington, N.Z.	Tea-taster's testing-kit ; 29546 ; 16th May.
Moreton, C. J., Balclutha, N.Z.	Drawing-board, desk, and instructional apparatus combined ; 29547 ; 16th May.
Dane, E., Auckland, N.Z.	Fire-lighter ; 29548 ; 15th May.
Graham, R. T., Auckland, N.Z.	Fire-lighter ; 29548 ; 15th May.
Wright, A. H., Auckland, N.Z.	Water heater and generator ; 29549 ; 13th May.
Player, C. E., Auckland, N.Z.	Mat-slipping prevention ; 29550 ; 15th May.
Morton, W., Dunedin, N.Z.	Boot cleaning and polishing stand ; 29551 ; 13th May.
Hogg, O. E., Wellington, N.Z.	Frying-pan cover* ; 29552 ; 17th May.
Fotheringham, J., Launceston, Tas.	Fruit-picking bag* ; 29553 ; 12th August, 1910.†
Fotheringham, W., Launceston, Tas.	Fruit-picking bag* ; 29553 ; 12th August, 1910.†
Pearl, C. H., Launceston, Tas.	Fruit-picking bag* ; 29553 ; 12th August, 1910.†
Brownlie, J., Gore, N.Z.	Tin-piercing attachment to kerosene-pump ; 29554 ; 17th May.
Potts, W. E., Gore, N.Z.	Tin-piercing attachment to kerosene-pump ; 29554 ; 17th May.
Burn, R., Petone, N.Z.	Folding-apparatus for telegraph-form ; 29555 ; 17th May.
Hutcheson, G. R., Wellington, N.Z.	Floor and roof construction ; 29556 ; 17th May.
Crosher, A. T., Te Aroha, N.Z.	Shade-carrier for electric-lamp holder ; 29557 ; 11th May.
Crosher, A. T., Te Aroha, N.Z.	Electric plug and adaptor ; 29558 ; 11th May.
Crosher, A. T., Te Aroha, N.Z.	Electric-lamp holder ; 29559 ; 11th May.
Crosher, A. T., Te Aroha, N.Z.	Electric-lamp-holder switch ; 29560 ; 11th May.
Beamish, W., Hastings, N.Z.	Flushing-apparatus ; 29561 ; 16th May.
Baker, C. E., Chicago, U.S.A.	Ore-treatment* ; 29562 ; 19th May, 1910.†
Maroker, L. W., Sydney, N.S.W. (Giowad, H. H., and Rasmussen, J.)	Umbrella or parasol ; 29563 ; 18th May.
Hansen, S. J. V., Sydney, N.S.W.	Umbrella or parasol ; 29563 ; 18th May.
Manser, W., Lal Lal, Vic.	Spark-arrester* ; 29564 ; 18th May.
Edwards, T., Ballarat, Vic.	Ore-furnace* ; 29565 ; 18th May.
Nesbitt, G., Melbourne, Vic.	Trunk-fastening* ; 29566 ; 18th May.
Napier, T., Auckland, N.Z.	Concrete-step construction* ; 29567 ; 18th May.
Baylis, A. E., Pihama, N.Z.	Sore-teat cure and mammites-preventer* ; 29568 ; 18th May.
Raymond, F. V., Foxton, N.Z.	Hair, fibre, &c., dye ; 29569 ; 19th May.
Raymond, F. V., Foxton, N.Z.	Medicine and ointment ; 29570 ; 19th May.
Raymond, F. V., Foxton, N.Z.	Polishing sheet and board ; 29571 ; 19th May.
Raymond, F. V., Foxton, N.Z.	Leather, furniture, &c., polish ; 29572 ; 19th May.
Raymond, F. V., Foxton, N.Z.	Metal, furniture, &c., polish ; 29573 ; 19th May.
Young, A. E., Christchurch, N.Z.	Newspaper folder and wrapper ; 29574 ; 17th May.
Bryant, G. F., Christchurch, N.Z.	Dust-protector for sulkies ; 29575 ; 18th May.
Young, G., Dunedin, N.Z.	Toy ; 29576 ; 16th May.
Calvert, G., London, Eng.	Burnishing and scarifying* ; 29577 ; 7th June, 1910.†
Sherwood-King, H. F., Dunedin, N.Z.	Billiard-cue tips ; 29578 ; 18th May.
Lister, M. J., Dunedin, N.Z.	Fencing-tool ; 29579 ; 18th May.
Gunn, J. W., Waikato, N.Z.	Hatpin-point protector* ; 29580 ; 18th May.
Moss, E., Christchurch, N.Z.	Postal franking-machine ; 29581 ; 20th May.
Rowe, J. M., Rangiora, N.Z.	Bridge for street side channels ; 29582 ; 20th May.
Jameson, K. S., Christchurch, N.Z.	Clothes-basket ; 29583 ; 20th May.

Boniface, C., Otago, N.Z.	Stirrer for pasteurizer; 29584; 19th May.
MacGregor, W. P. S., Dunedin, N.Z.	Shackle-peg for coupling animal-traps; 29585; 19th May.
Waugh, R. M., Elsternwick, Vic.	Turbine-rotor*; 29586; 19th May.
Bedford, A. J., Northcote, Vic.	Turbine-rotor*; 29586; 19th May.
Johnson, C., Thames, N.Z.	Hatpin-point protector*; 29587; 22nd May.
Cronly, L. P., Wellington, N.Z.	Chart for transposing music; 29588; 22nd May.
Wild, C. W., Woodville, N.Z.	Flushing-apparatus; 29589; 23rd May.
Hayne, J. R., Dunedin, N.Z.	Meat, &c., preserving; 29590; 23rd May.
Billows, A. J., Melbourne, Vic.	Aeration for liquids*; 29591; 23rd May.
Holden, G. F., Geelong, Vic.	Potato-treating process; 29592; 23rd May.
Neville, H., Wellington, N.Z.	Clothes-peg bag; 29593; 23rd May.
Lusk, G. B., Wellington, N.Z.	Clothes-peg bag; 29593; 23rd May.
W. R. Sykes Interlocking Signal Company, Limited, London, Eng.	Railway-rail contacts*; 29594; 23rd May.
Sykes, J. C., London, Eng.	Railway-rail contacts*; 29594; 23rd May.
Tarrant, R. W., London, Eng.	Railway-rail contacts*; 29594; 23rd May.
McKenzie and Holland, Limited, London, Eng., and Melbourne, Vic.	Railway-rail contacts*; 29594; 23rd May.
Baldwin, E. S., Wellington, N.Z. (<i>Kearns Manufacturing Company—Rea, J.</i>)	Dress-forms*; 29595; 23rd May.
Rayward, H. H., Wellington, N.Z.	Dress-forms*; 29595; 23rd May.
Hele-Shaw, H. S., London, Eng.	Pump and motor*; 29596; 23rd May.
Martineau, F. L., London, Eng.	Pump and motor*; 29556; 23rd May.
Maxwell, W., Napier, N.Z.	Tire-cover; 29597; 24th May.
Pocock, A. C., Hamilton, N.Z.	Milk-releaser; 29598; 22nd May.
Ziele, W. S., Christchurch, N.Z.	Cap and outlet for collapsible tube; 29599; 23rd May.
Turnbull, W., Wellington, N.Z.	Flushing-apparatus*; 29600; 24th May.
Davies, J. H., Melbourne, Vic.	Milking-machine teat-cup; 29601; 25th May.
Sherwood-King, H. F., Dunedin, N.Z.	Fastening-device for cloth, &c.; 29602; 23rd May.
United Shoe Machinery Company, Paterson, U.S.A. (<i>Gilbert, J. B.</i>)	Block for clogging operations; 29603; 25th May.
United Shoe Machinery Company, Paterson, U.S.A. (<i>Bates, A., and Caselton, A.</i>)	Lasting and tacking machine; 29604; 25th May.
Hamilton, J., East Orange, U.S.A. (<i>Healy, C. J.</i>)	Compositions of matter; 29605; 25th May.
Murphy, P., Sydney, N.S.W.	Water-heater*; 29606; 25th May.
Murphy, P., Sydney, N.S.W.	Gas and water controller for gas water-heater*; 29607 25th May.
Buckingham, S. F., Mangatainoka, N.Z.	Hose-coupling*; 29608; 25th May.
Watkinson, J., London, Eng.	Electric-circuit-current regulator*; 29609; 9th June, 1910.†
Payne, A. E., London, Eng.	Electric-circuit-current regulator*; 29609; 9th June, 1910.†
Payne, F. W., Dunedin, N.Z.	Time-limit lock; 29610; 24th May.
Gurr, T. S., Dunedin, N.Z.	Train-signalling apparatus; 29611; 24th May.
Hobbs, R. J., Dunedin, N.Z.	Train-signalling apparatus; 29611; 24th May.
Stewart, D., Wanganui, N.Z.	Milking-machine releaser; 29612; 26th May.
Bower, S. M., Wanganui, N.Z.	Milking-machine releaser; 29612; 26th May.

Complete Specifications filed after Provisionals.

LIST of complete specifications filed after provisional specifications from the 12th to the 25th May, 1911, inclusive:—

- No. 28158.—A. James, totalizator.
- No. 28245.—G. Craw, flax-stripper.
- No. 28250.—W. A. Stephenson, lead-headed-nail-making machine.
- No. 28294.—F. Humphries, mitre-cramp.
- No. 28302.—J. D. Mathison, bridle.
- No. 28319.—A. W. Reid, milking-machine pulsator.
- No. 28341.—T. Bastin and J. McCarty, rut-filler and shingle-adjuster.
- No. 28351.—F. F. Simpson, wool-moisture indicator.
- No. 28355.—J. J. Blockley, closet-flush.
- No. 28377.—L. F. C. Haverland and J. H. Thomas, saddle.
- No. 28386.—United Shoe Machinery Company, heel-breasting machine. (A. Bates.)
- No. 28431.—United Shoe Machinery Company, boot and shoe manufacture. (R. F. McFeely.)
- No. 28432.—United Shoe Machinery Company, press. (H. D. Spencer.)
- No. 28762.—C. Neff and Brandes, treatment of liquids.
- No. 28784.—C. E. Hardley, combination cock for gas, water, &c.
- No. 29350.—T. Napier, concrete-post fastener.
- No. 29450.—E. S. Baldwin, disc cultivator. (H. W. Guest.)

Notice of Acceptance of Complete Specifications.

Patent Office,
Wellington, 31st May, 1911.

COMPLETE specifications relating to the un-dermentioned applications for Letters Patent have been accepted, and are open to public inspection at this office. Any person may, at any time within two months from the date of this *Gazette*, give me notice in writing of opposition to the grant of any such patent. Such notice must set forth the particular grounds of objection, and be in duplicate. A fee of 10s. is payable thereon.

The copies of claims and extracts from the specifications and drawings are merely intended to give some further indication of the invention than is disclosed in the title, and the complete specifications and drawings should be referred to for a description of the invention.

No. 27748.—18th May, 1910.—JOHN SHARPE, of Broughton Street, Glebe, near Sydney, New South Wales, Australia, Cordial-manufacturer. Combined socket and screw plug for delivering liquids intermittently.

Extract from Specification.—In carrying out the invention, the orifice of the passage leading into the socket is made to taper in diameter, and the plug is formed conical on its inner end so as to be adapted to enter the passage and to fit closely into the tapering orifice thereof. The socket is also formed near its inner end with a shoulder situated on the outside

of the exit-aperture therefrom, and a washer of cork, rubber, or other suitable material fits against this shoulder. The plug-end, which is made plain, passes through the washer, and the washer thereby serves to seal the plug and socket from leakage through the screw-thread portions thereof.

[NOTE.—The above extract from the specification is inserted in place of the claims.]

(Specification, 2s. 6d.)

No. 27752.—18th May, 1910.—OTTO HEINRICH STAPEL-FELDT, of 508 Collins Street, Melbourne, Victoria, Australia (attorney for J. Hirschhorn, of 148-9 Kopenicker Strasse, Berlin, S.O., Germany, Manufacturers, assignee of Douglas Benjamin Houghton, of Pitt Street, Sydney, New South Wales, Australia, Gas Engineer). Improvements in inverted incandescent gas-lamps.*

Extract from Specification.—Arranging the whole governing-device (which comprises the regulating-screw spring and internal governor) in the one removable plug.

[NOTE.—The above extract from the specification is inserted in place of the claims.]

(Specification, 2s.)

No. 27753.—18th May, 1910.—OTTO HEINRICH STAPEL-FELDT, of 508 Collins Street, Melbourne, Victoria, Australia (attorney for J. Hirschhorn, of 148-9 Kopenicker Strasse, Berlin, S.O., Germany, Manufacturers, assignee of Douglas Benjamin Houghton, of Pitt Street, Sydney, New South Wales, Australia, Gas Engineer). Improvements in inverted incandescent gas-lamps.*

Extract from Specification.—Providing a central tube leading from the central casing or bracket at the top to the crown-plate at the bottom of the lamp, having a removable cap or cock at its lower end for the withdrawal of any water accumulating therein. As a means of preventing water from entering the pilot-light pipe, I extend the said pipe by means of a small bent tube upwards some distance within the gas-supply pipe, so that an excessive quantity would have to accumulate within the said supply-pipe above the level of the said tube before entering the pilot-pipe.

[NOTE.—The above extract from the specification is inserted in place of the claims.]

(Specification, 3s. 6d.)

No. 27781.—23rd May, 1910.—JOHN PAUL MALONEY, of Fortrose, New Zealand, Inventor. Improved apparatus for wiring and stapling angular boxes, especially for cheese and suchlike.*

Claims.—(1.) In binding cases with stapled wire, the devices as set forth for binding and stapling over the said binding-wire into the wood of the case, all substantially as shown on the drawing and as described and as explained. (2.) In a machine for binding and stapling, the device for lowering the frame when placed over a case so that the case is gripped centrally, the subsequent raising of the frame on to all its wheels by the reversal of the same device, combined with the device as set forth, for turning to the next flat of the case by the lifting of the main levers, all substantially as set forth.

(Specification, 3s.)

No. 27787.—27th May, 1910.—ANDREW HAIG DUXFIELD, of Hawera, New Zealand, Saddler. An improved hock-boot or device for the protection of horses' hocks whilst working or racing.*

Extract from Specification.—In carrying out the invention, the boot is formed as hitherto of two portions, an upper and lower portion arranged to overlap and fastened to each other in such a manner as to permit of them hinging transversely. The upper portion is adapted to lie alongside the leg above the hock-joint, while the lower portion is shaped to cover such joint, and is in this invention formed with a rearward extension of stiff material, such as steel, that is curved round to fit round the back of such joint. The two members are secured in position by means of straps and buckles attached to elastic bands that are made fast to the respective edges of the boot.

[NOTE.—The above extract from the specification is inserted in place of the claims.]

(Specification, 2s. 6d.)

No. 27948.—23rd June, 1910.—HENRY JAMES MCBETH, of Drayton Street, Dalby, Queensland, Australia, Saddler, and THOMAS MCILLWRAITH TAYLOR, of Jimbour, Queensland, Australia aforesaid, Pastoralist. Improvements in means for releasing stirrup-leathers.*

Claim.—In means for releasing stirrup-leathers, a plate having a D-shaped spring bar, which rests in a hook loosely riveted at nearly right angles thereto, the said hook being provided with a catch which fits in a recess in the plate, as described and illustrated.

(Specification, 2s. 3d.)

No. 27973.—25th June, 1910.—HILARY QUERTIER, of Wellington, New Zealand, Engineer. Improvements in electric message transmission and indicating apparatus.*

Extract from Specification.—The means devised consist mainly in a transmitting-appliance constructed to automatically send a number of electric impulses, governed by the position to which a selector-switch is moved, through a wire to an indicator device that is caused to move correspondingly with the transmitter. A number of pointer-indicators may be respectively arranged in circuit with an equivalent number of the transmitters and with the order-indicator so that an indication may be given of the point of transmission as well as the order transmitted.

[NOTE.—The above extract from the specification is inserted in place of the claims.]

(Specification, 6s. 6d.)

No. 28049.—9th July, 1910.—ARTHUR RAINSFORD CRADDOCK and WILLIAM SCOTT, of Christchurch, New Zealand, Engineers. An improved matchlining-cramp.*

Extract from Specification.—The cramp consists of a triangular frame adapted to span a stud or joist and having lugs on each side. On one side the lug extends the full length of the frame, and has studs or points to grip the side of the timber; the lug on the other side carries a thumb-screw with a pointed end or foot, by means of which the cramp can be tightened up on to the stud. The frame of the cramp is adapted to carry a plunger or ram, which either slides in slots in the casting or is itself slotted and held in place by screws or pins. To this ram is attached a lever by means of a pin, while the end of the lever is slotted to engage a pin attached to the frame. The opposite end of the lever moves over a toothed quadrant, and a pawl serves to hold the lever, and therefore the ram, in any position. The ram has a head formed to take the top of the matchlining-board.

[NOTE.—The above extract from the specification is inserted in place of the claims.]

(Specification, 1s. 9d.)

No. 28109.—19th July, 1910.—UNITED SHOE MACHINERY COMPANY, of Paterson, in the State of New Jersey, United States of America, a corporation duly organized under the laws of said State of New Jersey, carrying on business as Shoe-machinery Manufacturers, and having a place of business at 205 Lincoln Street, Boston, in the Commonwealth of Massachusetts, in said United States of America (assignees of Andrew Eppler, of Lynn, Essex, and said Commonwealth of Massachusetts, Inventor). Improvements in or relating to Shoe-sewing Machines.*

Claims.—(1.) For an inseam-shoe-sewing machine, the combination with a welt-guide and means for advancing the guide toward the work and for withdrawing it therefrom, of means for maintaining the guide in advanced position during at least one cycle of operations of the machine. (2.) For an inseam-shoe-sewing machine, the combination with a welt-guide, of mechanism that tends to retract the welt-guide during each cycle of operations of the machine, means for maintaining the guide in advanced position during the first cycle, or first series of cycles, of operations, and mechanism for rendering the said means inoperative thereafter while the machine continues in operation. . . . (9.) In a chain-stitch shoe-sewing machine, a stitch-setting take-up acting when the needle is in the work, and a spring-actuated or other tension device operating to exert a uniform and relatively light tension on the thread during the retracting or loop-drawing stroke of the needle, to cause the needle to shorten the preceding loop, and an increased tension during the setting of the stitch.

[NOTE.—Here follow five other claims.]

(Specification, £1 4s. 6d.)

No. 28111.—19th July, 1910.—UNITED SHOE MACHINERY COMPANY, of Paterson, in the State of New Jersey, United States of America, a corporation duly organized under the laws of said State of New Jersey, carrying on business as Shoe-machinery Manufacturers, and having a place of business at 205 Lincoln Street, Boston, in the Commonwealth of Massachusetts, in said United States of America (assignees of William Christian Meyer, of Boston, Suffolk, and said Commonwealth of Massachusetts, Mechanical Engineer, and Charles Peder Holmes, of Lynn, Essex, and said Commonwealth of Massachusetts, Inventor). Improvements in or relating to tension devices for sewing-machines.*

Claims.—(1.) For a sewing-machine, the combination with means offering a yielding resistance to a pull on the thread, of mechanism for varying said resistance when the speed of the machine is varied. . . . (5.) For a sewing-machine, a tension device including a brake, a spring for actuating the brake, two sets of connections between the brake and spring, and means for throwing one set of connections out of operation during each cycle of operations of the machine, with or without means for varying the tension of the spring in response to variations in the speed of the machine.

[NOTE.—Here follow three other claims.]

(Specification, 17s.)

No. 28112.—19th July, 1910.—UNITED SHOE MACHINERY COMPANY, of Paterson, in the State of New Jersey, United States of America, a corporation duly organized under the laws of said State of New Jersey, carrying on business as Shoe-machinery Manufacturers, and having a place of business at 205 Lincoln Street, Boston, in the Commonwealth of Massachusetts, in said United States of America (assignees of John Benjamin Hadaway, of Swampscott, Essex, and said Commonwealth of Massachusetts, Inventor). Improvements in or relating to apparatus for cutting leather or other material.*

Claims.—(1.) A machine for cutting leather or other material comprising co-operating cutting-members (for example, 1 and 2) between which and a work-support there is provision for relative angular adjustment, for the purpose or purposes described. (2.) A construction of the machine claimed in preceding claiming clause No. 1 comprising a work-support, a shear frame adjustable about an axis located in or substantially in the plane of the supporting surface of the work-support, a shear blade pivoted upon the said frame, and a co-operating shear blade secured to the frame in such a position that its cutting-edge coincides or substantially coincides with the said axis.

[NOTE.—Here follows one other claim.]

(Specification, 8s. 3d.)

No. 28136.—23rd July, 1910.—FREDERICK SUTTON, of Coalgate, Canterbury, New Zealand, Farmer. An improved appliance for use in coiling or uncoiling wire.*

Extract from Specification.—The appliance devised consists in the combination with the usual wooden cross-frame provided with a central aperture to receive an axial pin and a handle for turning it, of a collapsible metal plate ring with radial flanges thereon, and means for securing this ring-edge on against the cross-frame.

[NOTE.—The above extract from the specification is inserted in place of the claims.]

(Specification, 3s. 9d.)

No. 28355.—29th August, 1910.—JAMES JOSEPH BLOCKLEY, of Devonport, Auckland, New Zealand, Plumber. An improved flushing-apparatus for water-closets and the like.*

Extract from Specification.—According hereto, a valve-seat is fixed within the cistern or storage-tank containing a supply of water. A standard passing through the valve-seat or integral therewith is provided with ports and a cupped leather washer on the top. A cylinder fitting upon the standard has a flange with a leather washer forming a face adapted to close upon the valve-seat. Ports through the cylinder below the flange are adapted to be brought into correspondence with the holes in the standard. A non-return valve in the top of the cylinder is adapted to admit water, and a split screw provides for the escape of water. The cylinder is operated by a lever and pull-cord of ordinary construction.

[NOTE.—The above extract from the specification is inserted in place of the claims.]

(Specification, 3s. 9d.)

No. 28368.—2nd September, 1910.—CHARLES ALBERT OLDMAN, of Waiiau, Canterbury, New Zealand. An improved oil-can.*

Claims.—(1.) An improvement in oil-cans of the usual round type, said improvement being a suitable valve fastened into the bottom of the oil-can for the purpose of admitting air behind the oil, so as to cause the oil to flow freely from the spout, substantially as described and explained in the specification.

[NOTE.—Here follows one other claim.]

(Specification, 1s. 3d.)

No. 28377.—2nd September, 1910.—LUDWIG FREDERICK CONRAD HAVERLAND, Saddler and Surgical-appliance Manufacturer, and JOHN HENRY THOMAS, Engineer, both of North Adelaide, Australia. Improvements in saddles.*

Extract from Specification.—According to our invention, the panel is detachably attached to the tree and to the flap by means of fasteners, which can be released and resecured as often as may be necessary for any purpose, as, for instance, to enable repairs to be effected.

[NOTE.—The above extract from the specification is inserted in place of the claims.]

(Specification, 2s. 9d.)

No. 29001.—17th January, 1911.—WILLIAM LEWIS, of 232 Clarence Street, Sydney, New South Wales, Australia, Agent. Improvements in the warming, or drying, or lasting of footwear.

Claims.—(1.) Improvements in the warming, or drying, or lasting of footwear characterized by a combined radiator and last of heat-conducting material, having an external conformation similar to the interior of the footwear within which it is inserted, and having within it a single chamber of similar conformation to accommodate a heating-agent, the heat from which passes through the chamber-walls direct to the interior of the footwear enclosing them, whereby the footwear is warmed, or dried and lasted, or reshaped in one operation. . . . (5.) In improvements in the warming, or drying, or lasting of footwear as claimed in claim 1, a toe-vapour-escape groove (14), and a side heel-vapour-escape groove (16) at each side of the radiator and last, said grooves having a common grooved exit at each side of the said last, a back heel-vapour-escape groove (15), a longitudinal sole-vapour-escape groove (17) joining said groove (15), to facilitate the exit of fumes and vapours from the footwear.

[NOTE.—Here follow two other claims.]

(Specification, 5s.)

No. 29026.—28th February, 1910.—JOHN INSHAW ROWWAY, Cycle Agent, and JAMES ESSON, Engineer, both of 67 Bree Street, Johannesburg, Transvaal, South Africa. Improvements in means for automatically inflating the tires of vehicle-wheels while in motion.

Claims.—(1.) In apparatus of the class set forth, means for automatically locking the piston-rod of the inflator in its retired position, comprising a pivoted clutch-lever through an aperture in which the piston-rod slides, said rod being gripped and held between opposite sides of the aperture when the lever is canted, substantially as set forth.

[NOTE.—Here follow four other claims.]

(Specification, 5s.)

No. 29052.—26th January, 1911.—WILLIAM EDMOND BROWN, of White Bluff, Moutere, Nelson, New Zealand, Farmer. An improved milk-separator.*

Extract from Specification.—According hereto, my milk-separator consists of a cylindrical vessel 1 arranged with its axis vertical and having a conical bottom 2 provided with a draw-off tap 3. In the bottom is an inclined window 4 of glass or the like, which may be removable for cleaning purposes, and which is used to enable the skim-milk to be distinguished from the cream. The top 5 of the vessel is provided with a conical cover 6 having an internal flange 7

which fits the cylinder. A cap 8 fits as a cover upon a cylindrical extension 9 which serves as an inlet for the milk, and has a strainer, preferably removable, and which may be provided with a loop to enable it to be removed and suspended. The bottom of the cylinder has inclined rectangular sockets 11, 12, and 13, which receive the upper ends of inclined supports 14, 15, and 16 respectively.

[NOTE.—The above extract from the specification is inserted in place of the claims.]

(Specification, 2s. 3d.)

No. 29101.—17th February, 1910.†—BERNHARD JACQUES FLÜRSCHHEIM, of Rushmoor, Fleet, Hampshire, England, Doctor of Philosophy and Research Chemist. Improvements relating to explosives.

Claims.—(1.) An explosive charge or composition consisting of or containing tetra-nitro-aniline or one of the derivatives of the kind mentioned. (2.) Explosive mixtures containing tetra-nitro-aniline in addition to oxidizing and combustible bodies, substantially as described. (3.) Explosive or detonating composition prepared or composed substantially as indicated by the examples.

(Specification, 3s. 6d.)

No. 29158.—24th February, 1910.†—JAMES ERNEST TATHAM, of 2 Margaret Lane, Sydney, New South Wales, Australia, Engineer. Means for preventing the combustion of the films in cinematograph and other similar appliances.

Claim.—In relation to cinematographs and analogous machines, one or more nozzles directed towards the exposed part of the film within the gate, and/or towards that part of the gate exposed to the heat-rays from the lamp, and means for supplying a current of air or non-inflammable gas under pressure to be projected through the nozzle or nozzles against the exposed part of the film within the gate, and/or the frame of the gate, as and for the purposes specified.

(Specification, 3s. 9d.)

No. 29183.—27th February, 1911.—BENJAMIN HENRY BERRY BISHOP, Blacksmith, and EDWARD JOHN MALCOLM MILLER, Farmer, both of Waverley, New Zealand. Improvements in acetylene-gas generator.

Claims.—(1.) An improved acetylene-gas generator, the combination of a carbide-chamber, with a water-tank and gas-holder alongside and attached thereto, a purifier fitted within water-tank, and the particular style of automatic water-supply to carbide. (2.) The improved acetylene-generator constructed and operating substantially as described and explained in specification, and as illustrated in the drawings. (3.) The hermetically sealed vertical gas-generating or carbide chamber, its particular style of applying the automatic supply of water, the cooling-jacket to gas-generating chamber and gauge. (4.) The improved style of gas-holder. (5.) The pressure of gas being given by head of water only. (6.) The particular safety of handling of all parts. (7.) The particular style of purifying by water only. The whole of the above claims being substantially specified, and illustrated in the drawings.

(Specification, 2s. 6d.)

No. 29288.—20th March, 1911.—WILLIAM GLOYN, of Whangarei, Auckland, New Zealand, Carpenter. Improvements relating to lifting bridges.

Claims.—(2.) In lifting bridges, the employment of a counter-balancing arrangement in which a series of weights are one after the other lifted from and delivered upon a platform as the bridge is raised or lowered, as the case may be, substantially as specified and illustrated. (3.) In lifting bridges, the employment of a chain or a plurality of chains or ropes connected to one end of the bridge, passing over guide-sheaves, and bearing a series of counter-balanced weights arranged at suitable intervals, substantially as and for the purposes set forth and illustrated.

(Specification, 1s. 9d.)

No. 29302.—18th March, 1911.—ALEXANDER STORRIE, of Invercargill, New Zealand, Engineer and Agricultural-implementation maker. Improved milking machinery.

Claims.—(1.) In milking machinery, the combination of a motor consisting of a double-headed piston working in a cylinder by the action of air at a different pressure from the atmosphere, said piston reversing automatically at each end of each stroke by positive tappet action within and between the said double heads of the piston, which motions produce the pulsating on the teats by alternate make and break with the atmosphere and vacuum, with a can exhausted from the main vacuum tube, which is sufficiently separated from the pipe that works the motor, all substantially as shown on the drawing, and as described and as explained.

[NOTE.—Here follow six other claims.]

(Specification, 6s. 3d.)

No. 29377.—6th April, 1911.—ISAAC HARRISON, of Tauhinu Road, Miramar, Wellington, New Zealand, Condiment-manufacturer. Apparatus for corking bottles.

Claims.—(2.) Apparatus for the purpose indicated characterized by having a vertical frame and interchangeable die-blocks fitting guides in said frame and removable laterally therefrom, substantially as and for the purpose specified, and illustrated in the drawing. (3.) In apparatus for the purpose indicated, a slide-rod carrying a vertically reciprocating plunger, and a guide for said slide-rod carried in guides in the vertical frame and removable laterally therefrom, substantially as and for the purpose specified, and illustrated in the drawing. (4.) In combination, a vertical frame, a lever fulcrumed at the upper end thereof, the slide-rod connected by a link with said lever, and a tension-spring connected to the vertical end of the lever, substantially as and for the purpose specified, and illustrated in the drawing.

(Specification, 2s. 6d.)

No. 29381.—7th April, 1911.—ARTHUR HENRY HALE and FREDERICK JOSEPH NATHAN, both of Palmerston North, New Zealand, Inventors. Improved heating and pasteurizing apparatus for dairy factories and the like.

Claims.—(1.) Apparatus for the purpose indicated, comprising, in combination, a water-heater, a cylindrical vessel, a series of tubes passing therethrough, dome covers (one at each end), pipes connecting said vessel with the heater, and means for delivering milk through the cover at one end of said vessel and discharging it through the opposite cover, substantially as specified, and illustrated in the drawing.

[NOTE.—Here follow four other claims.]

(Specification, 3s. 3d.)

No. 29398.—13th April, 1911.—WILLIAM EGGLETON, of Bunnythorpe, Palmerston North, New Zealand, Engineer. An improvement relating to spanners for screw nuts.

Claims.—(1.) A spanner comprising a handle flexible in one direction, and a head to receive a screw nut, substantially as and for the purposes specified, and illustrated in the drawing. (2.) A spanner comprising a head to receive a screw nut, and a handle composed of a plurality of hinge-jointed links, substantially as and for the purposes specified, and illustrated in the drawing.

(Specification, 2s. 3d.)

No. 29408.—13th April, 1911.—HENNING PROCESS SUGAR EXTRACTION COMPANY, a corporation duly organized and existing under and by virtue of the laws of the State of California, having its principal place of business at No. 419 California Street, San Francisco, California, United States of America (assignees of William Henning, of Lahaina, Island of Maui, Hawaii Territory, United States of America, Sugar-boiler). Process of manufacturing sugar.

Claims.—(1.) That step in the process of the manufacture of sugar which consists in adding molasses-residue from one strike, diluted to a syrup, to a second strike when the sugar of the latter is almost finished and its grains well developed. (2.) In the process of the manufacture of sugar, those certain steps which consist in adding molasses-residue from one strike, diluted to a syrup, to a second strike when the sugar of the latter is almost finished and its grains well developed, and then carrying the mass to a finish.

[NOTE.—Here follow two other claims.]

(Specification, 6s.)

No. 29409.—19th April, 1911.—WILLIAM ALEXANDER FRASER, of 366A Bourke Street, Melbourne, Victoria, Australia, Manufacturers' Agent (assignee of Andrew Beenie, of 47 Glenferrie Road, Glenferrie, near Melbourne aforesaid, Saddler). Improved means for securing horse and cattle rugs.*

Claims.—(1.) In a rug for horses and cattle, a pair of adjustable flank-straps, and an adjustable breast-strap connected at one end to a ring, one of said flank-straps attached to a dee or ring secured to the rug, the other flank-strap provided with detachable means for attaching to a dee or ring upon the opposite flank of the rug, the free end of said breast-strap adapted to be attached to a ring provided with a crossbar securing the two front edges of the rug, a rope or fillet (adjustable for length) attached to each flank, passing through each edge of the rug and around the rear of the animal, a stop being provided upon said rope or fillet between the flank-fastening and edge of the rug, substantially as and for the purposes specified, and as illustrated in the drawings.

[NOTE.—Here follow four other claims.]

(Specification, 4s. 9d.)

No. 29416.—20th April, 1911.—ROBIN EDWARD SHEPPERSON, of Enterprise, Kin Kin, Cooran, Queensland, Australia, Dairyman. An improvement in the teat-cups of milking-machines.

Claim.—An improvement in teat-cups of milking-machines, reinforcing the tube, which may be made of rubber or other suitable material, with two or more springs, as described, and illustrated in the drawings.

(Specification, 1s. 6d.)

No. 29441.—15th July, 1910.†—JAMES DAVIDSON, of Atchison Street, North Sydney, New South Wales, Australia, Machinist. Improvements in the construction of a sheep-shear joint.

Extract from Specification.—In my invention I combine this improvement of dispensing with a peg-screw in manner stated. I dispense with the axial screw, having both pintles fixed, and construct locking flanges and grooves, and depend upon the complete meshing of the gear, when the jaws are closed, to prevent the dislocation of the joint.

[NOTE.—The above extract from the specification is inserted in place of the claims.]

(Specification, 2s. 6d.)

No. 29444.—26th April, 1911.—JOHN ALFRED NUTTALL, of Marton, New Zealand, Plumber. An attachment to washing-boards to facilitate the scrubbing of clothes.

Extract from Specification.—The invention consists in a block of wood of convenient width that is made to extend across the width of the washboard and is carried at its ends upon runners attached to side pieces extending up the length of the board and hinged or pivoted at their top ends to the sides of the board. The block may thus be moved up and down the board's face and caused to rub the clothes laid on the front of the board by grasping it with one or both hands.

[NOTE.—The above extract from the specification is inserted in place of the claims.]

(Specification, 3s. 6d.)

No. 29451.—27th April, 1911.—THE AUTO ROAD CHART, LIMITED, a company registered under the laws of the State of New South Wales, Australia, and having its registered office at Mutual Life Building, Wynyard Street, Sydney, New South Wales aforesaid, Manufacturers (assignees of Herbert James Cox Taylor, of Watson's Bay, near Sydney aforesaid, Military Officer). Route-chart and location-indicator for road-vehicles.

Claims.—(1.) A diagram chart for road-route indicators consisting of a long rollable fabric strip having printed thereon a continuous straight band indicating the course of the route,

a sinuous line on said band indicating road-curves, short spur-bands branched therefrom indicating cross-roads and junction-roads, and conventional signs indicating road-features, bridges, danger-points, supply-depots, and other places, and scales of linear road-measurements, in combination with mechanism driven from one of the road-wheels for traversing said diagram past a fixed index either forwardly or backwardly in correlation with the movement of the vehicle upon which the indicator is carried.

[NOTE.—Here follow ten other claims.]

(Specification, £1 10s. 6d.)

No. 29457.—28th April, 1911.—JOHN THOMAS WHITTOME, of Parkwood Road, Tavistock, Devon, England, Engineer. Improvements in or relating to road-sweeping machines.

Claims.—(1.) A road-sweeping machine having the brush arranged in front of the collector or container, in which the aperture through which the mud, dust, or the like is projected into the container is arranged in front of the vertical axis of the brush.

[NOTE.—Here follow eight other claims.]

(Specification, 8s. 9d.)

No. 29466.—1st May, 1911.—CHARLES COOPER, of Mangatoki, Taranaki, New Zealand, Factory-manager. Improvements in apparatus for sterilizing skim-milk and whey.

Claims.—(1.) Apparatus for the purpose indicated, comprising a drum and superposed casings, the drum being provided with steam-jets or other heating-means, and the casings being provided with circulating-tubes, the cool milk or whey being heated by outflowing heated milk or whey, and heated milk or whey being cooled by the inflowing milk or whey, substantially as set forth.

[NOTE.—Here follow three other claims.]

(Specification, 3s. 9d.)

No. 29470.—1st May, 1911.—FREDERICK JOHN NORTHCOTT, of Christchurch, New Zealand, Manufacturers' Agent. Improvements in milk-receiving cans for milking-machines.

Extract from Specification.—The invention consists in dividing a single can into two distinct compartments, and providing each compartment with a gauge-glass extending upwards from its crown, and with a float having a rod fixed to its upper side adapted to project upwards into the gauge-glass. Each compartment is also provided with a pair of port-openings in the top thereof. A valve-plate is provided, and formed with two apertures therein, which are adapted to coincide with the respective port-openings in each compartment. These apertures are provided with nipple or like connections by means of which connections respectively between the vacuum main and the teat-cups may be made. The valve-plate is attached to a handle by means of which it may be moved to fit over the ports of either compartment at will, and thus connect such compartment with the vacuum, in order that the milk may flow into it, and at the same time to uncover the ports of the other compartment in order to admit air thereto. Instead of a single can divided into compartments two separate cans may be employed.

[NOTE.—The above extract from the specification is inserted in place of the claims.]

(Specification, 5s.)

No. 29480.—1st May, 1911.—CECIL GEORGE MCKELLAR, C.E., Assoc. Mech. Eng., of Christchurch, New Zealand, Consulting Engineer. Improvement in chain-adjustment devices for rear-wheel fitting of cycles.

Extract from Specification.—The construction comprises, briefly, a suitable projection or lug arranged upon the fitting in rear of the slot and extending at right angles to the face of such fitting. The said lug is formed with a downwardly opening slot, adapted to receive the shank of the eye-bolt, which is inserted through the opening and drawn upwards into place, the tightening being effected by means of the nuts which are adapted to bear against the rear face of the lug.

[NOTE.—The above extract from the specification is inserted in place of the claims.]

(Specification, 3s. 6d.)

No. 29483.—2nd May, 1911.—WILLIAM LAURENCE JOHNSTONE and ARTHUR HOSKING, both of Palmerston North, New Zealand, Engineers. Pasteurizer for skim-milk, whey, and the like.

Extract from Specification.—According to our invention, a cylinder designed to be used vertically has the top and bottom covers clamped upon it by a single screw, which passes axially through it. A valve which acts as a non-return valve for the pump also sprays the liquid entering the pasteurizer.

[NOTE.—The above extract from the specification is inserted in place of the claims.]

(Specification, 3s.)

No. 29490.—1st May, 1911.—GWENDOLINE DORIS McDERMID, of Sawyer's Bay, Dunedin, New Zealand, Spinster. Improvements in means for attaching hair-ornaments.

Extract from Specification.—The main features of the invention are the introduction of a safety-pin having loops preferably formed integral with the body-part of the pin, and a band of any suitable material attachable to the said loops.

[NOTE.—The above extract from the specification is inserted in place of the claims.]

(Specification, 2s. 3d.)

No. 29501.—2nd May, 1911.—THOMAS RICHARDSON, of Alexandra, New Zealand, Engineer and Blacksmith. Improved shade or veil fixing for hats.

Extract from Specification.—I provide rollers adapted to take blinds or veils that can be rolled up or let down as blinds, and secure these by their fixed bent-up spindles to the under-side of a hat-rim.

[NOTE.—The above extract from the specification is inserted in place of the claims.]

(Specification, 2s.)

No. 29517.—1st July, 1910.†—GAVIN CAIRD GOODHART, of Willows, Inkpen, Berks, England, Gentleman. Improvements in self-starting devices for internal-combustion engines.

Extract from Specification.—This invention relates to self-starting devices for use with internal-combustion engines of the type in which the power necessary to rotate the crank-shaft of the engine for the purpose of starting it is obtained from a spring which is automatically wound up by the engine, and it has for its object the general improvement of this type of self-starting device by the embodiment of the following essential features: (1) One or more stops to limit the range of action of the spring in both directions, so that after the spring is wound up the drive ceases to be through the spring; (2) the arrangement of the parts of the apparatus concentric with one another, whereby its overall length is materially shortened; and (3) the arrangement of the main clutch exterior to the periphery of the spring, whereby less power is required to release it under pressure.

[NOTE.—The above extract from the specification is inserted in place of the claims.]

(Specification, 4s. 9d.)

Copies of drawings may be obtained at the uniform price of 1s. each. In exceptional cases this price may be increased at the discretion of the Office.

An asterisk (*) denotes the complete specification of an invention for which a provisional specification has been already lodged. A dagger (†) denotes a prior date under the International and Intercolonial Arrangements.

NOTE.—The cost of copying the specification has been inserted after the notice of each application. An order for a copy or copies should be accompanied by a post-office order or postal note for the cost of copying.

The date of acceptance of each application is given after the number.

Extracts from the drawings accompanying the foregoing complete specifications appear at the end of this *Gazette*.

J. C. LEWIS,
Registrar.

Provisional Specifications accepted.

Patent Office,
Wellington, 26th May, 1911.

A PPLICATIONS for Letters Patent, with provisional specifications, have been accepted as under:—

- No. 27787.—A. H. Duxfield, hock-boot.
No. 28996.—E. T. C. Firth, wind and water motor.
No. 29297.—T. D. and F. R. McLean, shearing-machine starting and stopping.
No. 29320.—G. Kelly and F. Holloway, linoleum and furniture cleaner.
No. 29323.—V. R. Moss, covering or protecting ends of linoleum.
No. 29334.—M. E. Budge, child's knickers.
No. 29383.—C. S. Bayley, crank-extension.
No. 29387.—G. R. Fullery, soap-composition.
No. 29397.—E. J. and D. H. Armstrong, vacuum valve.
No. 29400.—F. Mays, platform bracket for ladder.
No. 29402.—E. B. Vaile, door knob and handle, securing in position.
No. 29422.—R. W. D. Robertson, teat-cup.
No. 29424.—J. Pierce, range.
No. 29426.—J. Treloar, milking-machine releaser.
No. 29427.—D. H. Armstrong, milking-machine receiver and deliverer.
No. 29428.—A. W. Reid, teat-cup.
No. 29443.—A. H. J. Parker, music-leaf turner.
No. 29447.—E. A. Coppill, fitching-saw.
No. 29448.—H. W. James, milk power blast cooler and aerator.
No. 29467.—G. A. Clark, manure-mixing.
No. 29468.—A. McLaughlin, frame for swing baby-cradle.
No. 29474.—R. Hardie, candle-extinguisher.
No. 29477.—E. D. Berry, regenerative apparatus.
No. 29481.—P. Robinson and E. Wanklyn, flax-tailing clipper.
No. 29482.—E. D. Berry, milk, &c., pasteurization.
No. 29484.—H. Luks, ammeter and voltmeter.
No. 29486.—R. S. Maunder, milk-releaser.
No. 29492.—J. Hurle and A. B. Robertson, motor and pump for elevating milk, &c.
No. 29493.—W. L. Roberts, drain-cleaner.
No. 29504.—A. R. Gray, hatpin-point protector.
No. 29509.—R. H. Bartlett, milk-receiving bucket.
No. 29511.—M. U. Dennison, dress-shield.
No. 29513.—S. G. Pirani, tire-cover. (C. Marriott.)
No. 29514.—G. T. Booth, cream-separator driving-gear.
No. 29515.—G. T. Booth, teat cup.
No. 29522.—C. F. Olson and J. Harrington, egg-tester.
No. 29530.—P. H. Best, milking-machine teat-cup.
No. 29531.—W. Reeves, swingletrees.

Letters Patent sealed.

LIST of Letters Patent sealed from the 6th to 23rd May, 1911, inclusive:—

- No. 26654.—J. S. Dawes, internal-combustion-engine rotary valve.
No. 27200.—J. Blair-Mason and J. Loudon and G. A. Lee sliding-door.
No. 27209.—A. A. Pauly, artificial stone.
No. 27210.—W. M. Martin, complex ore-separation.
No. 27215.—J. W. Hardley, S. Hardley, jun., and C. E. Hardley, spouting-bracket.
No. 27220.—J. Bain, attaching draught to horse-hoe.
No. 27261.—E. H. Browne, wire-strainer.
No. 27377.—United Shoe Machinery Company, leather-skiving machine. (A. M. Alexander.)
No. 27429.—C. Neff and A. Brandes, treatment of liquids.
No. 27924.—T. Collins and L. H. Hartmann, speed-gear.
No. 28079.—S. B. Wheway, horse-collar.
No. 28221.—The Wolseley Sheep Shearing Machine Company, Limited, and C. V. Hudson, cream-separator cone.
No. 28306.—A. Kilborn, elastic fluid motor.
No. 28359.—G. H. Cliff, bath, &c.
No. 28460.—W. H. Waters, pyritic and other sulphide ore smelting. (A. Haggenmiller.)
No. 28492.—C. C. Wakefield, acetylene-generator regulator.
No. 28531.—O. E. Wilson, bonding stirrup and tee bar for concrete-work.
No. 28563.—A. T. Collier, manufacture of flexible material from rubber.
No. 28626.—H. Von Kramer, wireless telephone.
No. 28628.—P. G. E. Daniel and C. A. H. Bullock, stamp supplying and affixing machine.
No. 28698.—The Metals Extraction Corporation, Limited, apparatus for bringing gas into contact with liquid. (H. T. Durant.)

- No. 28763.—H. Lowry, removing obstructions in water-sewerage pipes, &c.
 No. 28807.—W. Hommel and H. T. Durant, metal-extraction from ores.
 No. 28847.—A. J. Billows, jar, &c., tap.
 No. 28851.—J. D. Wolf, ore-separation.
 No. 28853.—N. Testa, fluid-propulsion.
 No. 28870.—Murex Magnetic Company, Limited, ore-treatment. (A. A. Lockwood.)
 No. 28929.—R. S. Benson and Head Wrightson and Co., Limited, coal, &c., washing machine.
 No. 28941.—R. P. Doudney, carburetter.
 No. 28945.—United Shoe Machinery Company, heel-attaching machine. (E. A. Tripp.)
 No. 28946.—United Shoe Machinery Company, eyeletting-machine. (F. A. Rumney.)
 No. 28948.—United Shoe Machinery Company, heel-trimming machine. (B. F. Mayo.)
 No. 28949.—R. L. Muir, saws.
 No. 28979.—L. C. Moore, wood-board reinforcing.
 No. 29002.—A. Eichengruen, non-inflammable celluloid.

Letters Patent on which Fees have been paid.

[NOTE.—The dates are those of the payments.]

SECOND-TERM FEES.

- No. 22882.—Carter's Window Sash and Lifter, Limited, sash-lifter and lock. 15th May, 1911. (T. E. Carter.)
 No. 22886.—H. W. Lash, iron-oxide reducing-process. 23rd May, 1911.
 No. 22895.—R. A. Fessenden, electric signalling. 23rd May, 1911.
 No. 22911.—L. T. Chambers and W. E. Thompson, fence-making machine. 18th May, 1911.
 No. 23111.—A. H. Borghström, thick-liquid pump. (C. J. Lane and R. J. Crane.) 23rd May, 1911.
 No. 22985.—W. H. Lawrence and K. Kennedy, milking-machine. (E. H. Anderson.) 18th May, 1911.
 No. 23180.—R. H. Hunter-Weston, rabbit-exterminator. 19th May, 1911.
 No. 23190.—C. A. Parsons, turbine-blade. 16th May, 1911.
 No. 24533.—Maatschappij tot vervaardiging van Snijmachines volgens "van Berkel's Patent" en van Andere Werktuigen, meat-slicer. 18th May, 1911.

THIRD-TERM FEES.

- No. 17982.—F. C. Brown and S. D. McMiken, material-mixer. 25th May, 1911.
 No. 17983.—R. F. Marsh, washing-machine. 20th May, 1911.

Subsequent Proprietors, &c., of Letters Patent registered.

[NOTE.—The name of the former proprietor is given in brackets; the date is that of registration.]

- No. 14832.—The Sherardizing Syndicate, Limited, formerly of 82 Victoria Street, Westminster, but now of 4 Lloyds Avenue, in the City of London, England, Manufacturers. Deposition of metals. (Sherard, Cowper-Coles, and Co., Limited—S. Cowper-Coles.) 22nd May, 1911.
 No. 22926.—Manufacturers Machine Company, of Montclair, in the State of New Jersey, United States of America, a corporation duly organized under the laws of said State of New Jersey. Boot or shoe machine. (M. D. Phelan.) 22nd May, 1911.
 No. 23055.—Manufacturers Machine Company, of Montclair, in the State of New Jersey, United States of America, a corporation duly organized under the laws of said State of New Jersey. Boot-treating machine. (W. H. Hooper.) 22nd May, 1911.
 No. 25398.—The New Oil Refining Process, Limited, whose registered office is at 17 Gracechurch Street, London, England, Oil-refiners. Treating hydrocarbon oils. (Patent Hydrocarbon, Limited—J. Noad.) 19th May, 1911.
 No. 25579.—The International Telechronometer Company, a corporation of the State of New York, having offices at Rochester, New York, United States of America. Telephone apparatus. (C. M. Beattie.) 19th May, 1911.
 No. 26250.—Edward Crabbe Jacobs, of the City and County of San Francisco, State of California, United States of America, Mining Engineer. Explosive compound. (G. Lezinsky.) 22nd May, 1911.
 No. 26758.—Alfred Hollobon, of Christchurch, New Zealand, Plumber, registered as proprietor for certain district. Spouting-bracket. (W. B. Topp.) 24th May, 1911.
 No. 23199.—Arthur Hutchinson, of 18 Bridge Street, Sydney, New South Wales, Australia, Manufacturers' Agent. Bi-focal glasses. (G. W. Baker.) 16th May, 1911.

Notice of Request to amend Application for Letters Patent.

Patent Office,
 Wellington, 26th May, 1911.

REQUEST for leave to amend the undermentioned application for Letters Patent has been received, and is open to public inspection at this office. Any person may, at any time from one month from the date of this Gazette, give me notice in writing of opposition to the amendments. Such notice must set forth the particular grounds of objection, and be in duplicate. A fee of 10s. is payable thereon.

No. 28157.—Samuel Salek and Joseph Edwin Ffrost. (Advertised in Supplement to *New Zealand Gazette*, No. 80, of the 25th August, 1910.)

The nature of the proposed amendment is as follows:—
 To strike out from the application the name and address of Joseph Edwin Ffrost.

The applicants state—
 Our reason for making this amendment is that the said Joseph Edwin Ffrost has ceased to be interested in the invention.

J. C. LEWIS,
 Registrar.

Applications for Letters Patent abandoned.

LIST of applications, with which provisional specifications only have been filed, abandoned (*i.e.*, complete specifications not lodged) from the 12th to the 25th May, 1911, inclusive:—

- No. 28055.—M. S. Collier and W. Little, advertising-device and match-box.
 No. 28056.—M. S. Collier and W. Little, time-indicator.
 No. 28057.—E. S. Baldwin, air-gas manufacture. (F. W. O. Boeckem.)
 No. 28062.—P. E. Petherick and A. R. Shephard, cinematograph.
 No. 28064.—P. J. Griffin and T. P. Eustege, tooth-powder tin.
 No. 28066.—A. I. Jones, vehicle-brake.
 No. 28073.—W. Duggan, jun., grate.
 No. 28076.—D. McLeod, candlestick.
 No. 28077.—J. Fraser, draught-excluder.
 No. 28085.—W. J. Johnson, sewing-machine, motor-driven.
 No. 28086.—W. J. Johnson, sewing-machine, motor-driven.
 No. 28088.—A. V. Philip, legging-blocking machine.
 No. 28091.—G. G. Holmes, dredge bucket or grab.
 No. 28092.—A. G. Mackay, preventing racing of marine engine.
 No. 28101.—M. F. Martensen, step-ladder.
 No. 28103.—J. J. Keppel and H. Seifert, flax-catcher.
 No. 28104.—A. J. C. Cuddy, rail-lifter.
 No. 28105.—J. Jouson, candle-extinguisher.
 No. 28116.—C. G. Foxcroft, window-lock.
 No. 28117.—E. G. Sander and H. Mander, vermin-proof corrugated iron and spouting.
 No. 28118.—The Marks High Speed Reversible Turbine Company, Limited, reversible high-speed turbine. (H. Beaney.)
 No. 28119.—A. J. Edwards, tobacco-cutter.
 No. 28122.—G. R. Crawford and L. Clemesha, umbrella.
 No. 28127.—C. McIntyre, furnace-air bridge.
 No. 28129.—A. B. Pownall, fibre-conveyor.
 No. 28131.—J. Carder, watertight-boot.
 No. 28132.—W. H. Davy, ship electric alarm.
 No. 28133.—A. S. Ford, hydrocarbon-gas generator.
 No. 28137.—S. G. Roseman, broom and brush.
 No. 28142.—T. H. White, curtain-pole.
 No. 28145.—A. A. Leman and C. V. Leman, cavity wall for concrete building.
 No. 28154.—R. L. Halpin, cake-tin.
 No. 28160.—R. Arthur, internal-combustion-engine valve.

Applications for Letters Patent void.

APPLICATIONS for Letters Patent, with which complete specifications have been lodged, void owing to non-acceptance of such complete specifications, from the 12th to the 25th May, 1911, inclusive:—

- No. 27314.—J. C. Gardiner, multiple-writing machine.
 No. 27334.—J. MacLeod, blouse-fastener.
 No. 27349.—J. B. Kelly, acetylene-generator.

Applications for Letters Patent lapsed.

A PPLICATIONS for Letters Patent lapsed, owing to Letters Patent not being sealed, from the 12th to the 25th May, 1911, inclusive:—

- No. 26807.—T. P. Smith and J. MacLean, closet-pan.
 No. 26917.—G. Wilson, sink-trap.
 No. 26935.—H. Schlaodt, sheep-dipping-bath attachment.
 No. 26952.—C. E. Honeyfield, milking-machine teat-cup.
 No. 26957.—C. E. Honeyfield, milking-machine.
 No. 26960.—F. Ellis, hydraulic-nozzle operator.
 No. 26961.—A. E. Stephenson, cattle-medicine.

Letters Patent void.

LIST of Letters Patent void through non-payment of renewal fees, and through expiry of term of fourteen years, from the 12th to the 25th May, 1911, inclusive:—

THROUGH NON-PAYMENT OF SECOND-TERM FEES.

- No. 22416.—W. Wilkens and J. Nobbs, furnace bridge-plate.
 No. 22418.—W. McEachern, bottling and delivering liquids.
 No. 22420.—C. J. Walker, boot.
 No. 22427.—W. A. Merralls, cyaniding.
 No. 22435.—J. Stewart, reaper, &c., draught.
 No. 22437.—J. S. Kirkpatrick, door-fastening.
 No. 22440.—J. H. J. Bowater, tool.
 No. 22446.—A. W. Carpenter, tire.
 No. 22447.—F. E. Gard, A. R. Polley, and L. C. R. Jones, mail-bag fastener.
 No. 22449.—D. E. Amesbury, tobacco-pipe plug.
 No. 22450.—A. J. Bergin, motor-cycle belt.
 No. 22451.—T. Rolley, casement-operator.
 No. 22456.—Checkogram Limited, ticket-deliverer, &c. (J. J. Stookall, jun.)
 No. 22457.—H. J. A. Pyke, kauri-gum purifier, &c.
 No. 22469.—J. H., R., and J. McEvoy, boot.
 No. 22493.—F. W. and W. C. Gifford, illusion apparatus.
 No. 23931.—M. Rosenthal, heating-apparatus.

THROUGH NON-PAYMENT OF THIRD-TERM FEES.

- No. 17543.—C. Nissen, dust and air separator.
 No. 17551.—A. Ashcroft, fire-lighter.
 No. 17572.—C. Wiley, knife-cleaner.
 No. 17574.—E. Waters, jun., typographic machine. (The National Typographic Company—O. Mergenthaler and E. Larrenz.)
 No. 17584.—C. P. Elieson, accumulator-plate.

THROUGH EXPIRY OF TERM.

- No. 9534.—L. Billett and F. R. Cowper, tuyere for forge.
 No. 9541.—A. C. Crehore and G. O. Squier, electric-signal transmitter.

* Omitted from former *Gazette*.

Design registered.

A DESIGN has been registered in the following name on the date mentioned:—
 No. 558.—Joseph A. B. Cookson, of Christchurch, N.Z. Class 4. 16th May, 1911.

Applications for Trade Marks filed.

LIST of applications for registration of Trade Marks filed from the 12th to the 25th May, 1911, inclusive:—

- No. 9628.—12th May.—A. E. Baylis, Pihama, N.Z. Class 2.
 No. 9629.—13th May.—W. Parton and Son, Wellington, N.Z. Class 13.
 No. 9630.—13th May.—W. Parton and Sons, Wellington, N.Z. Class 18.
 No. 9631.—15th May.—Waight and Sons, Roxburgh, N.Z. Class 42.
 No. 9632.—15th May.—A. J. S. Blythe, Te Awamutu, N.Z. Class 50.
 No. 9633.—16th May.—Violo Manufacturing Company (owner, C. S. Wilson), Pymble, N.S.W. Class 50.
 No. 9634.—16th May.—R. G. Orr, London, Eng. Class 4.
 No. 9635.—16th May.—D. and W. Gibbs, Limited, London, Eng. Class 48.
 No. 9636.—16th May.—Shepherd and Hope, Manchester, Eng. Class 38.
 No. 9637.—17th May.—Sargood, Son, and Ewen, Limited, Dunedin and elsewhere, N.Z. Class 38.

No. 9638.—18th May.—Ellis and Manton, Wellington, N.Z. Class 47.

No. 9639.—19th May.—Perks, Dane, and Co. Proprietary, Limited, Melbourne, Vic. Class 47.

No. 9640.—20th May.—Ward and Payne, Sheffield, Eng. Class 12.

No. 9641.—20th May.—Ward and Payne, Sheffield, Eng. Class 13.

No. 9642.—20th May.—S. and J. Prestwich, Manchester, Eng. Class 38.

No. 9643.—20th May.—S. and J. Prestwich, Manchester, Eng. Class 38.

No. 9644.—23rd May.—A. Constantine, trading as "Anti-rheum Company," Birmingham, Eng. Class 11.

No. 9645.—23rd May.—D. Hutcheon and W. Hay, trading as "Ceylon Tea Company," Wellington, N.Z. Class 42.

No. 9646.—24th May.—G. and J. Zair, Birmingham, Eng. Class 37.

No. 9647.—24th May.—G. and J. Zair, Birmingham, Eng. Class 37.

No. 9648.—24th May.—W. Barnett, Christchurch, N.Z. Class 3.

No. 9649.—25th May.—P. Bock, trading as "P. Bock and Co.," Auckland, N.Z. Class 50.

No. 9650.—25th May.—Oxygenator Company, Buffalo, U.S.A. Class

No. 9651.—25th May.—J. Brinsmead, trading as "J. Brim," Malvern, Vic. Class 3.

Nos. 9652, 9653, 9654, and 9655.—25th May.—Hamilton and Co. (London), Limited, London, Eng. Classes 39, 50, 50, 50.

Nos. 9656 and 9657.—25th May.—Stevenson and Howell, Limited, London, Eng. Classes 42, 44.

No. 9658.—25th May.—Humphrey, Taylor, and Co., Limited, London, Eng. Class 43.

Nos. 9659 and 9660.—25th May.—Pacific Mills, Boston, U.S.A. Class 34.

Applications for Registration of Trade Marks.

Patent Office,
 Wellington, 26th May, 1911.

A PPLICATIONS for registration of the following Trade Marks have been received. Notice of opposition to the registration of any of these applications may be lodged at this office within two months of the date of this *Gazette*. Such notice must be in duplicate, and accompanied by a fee of £1.

No. of application: 9021.

Date: 13th September, 1910.

TRADE MARK.



Arrow Brand

The essential particulars of the trade mark are the following—the device and word "Arrow"; and any right to the exclusive use of the added matter is disclaimed.

NAME.

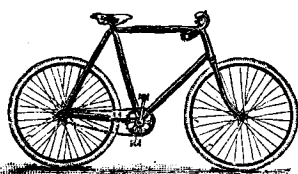
WILKINSON, HEYWOOD, AND CLARK, LIMITED, of No. 7 Caledonian Road, King's Cross, London, England, and of No. 305-7 Flinders Lane, Melbourne, in the State of Victoria, Commonwealth of Australia, Varnish and Colour Manufacturers.

No. of class: 47.

Description of goods: Illuminating, heating, and lubricating oils (seed, fish, animal, vegetable, and mineral), starch, cotton wicks, and grease for lubricating purposes.

No. of application : 9023.
Date : 13th September, 1910.

TRADE MARK.



Bicycle Brand.

The essential particulars of the trade mark are the following—the device and word “Bicycle”; and any right to the exclusive use of the added matter is disclaimed.

NAME.

WILKINSON, HEYWOOD, AND CLARK, LIMITED, of No. 7 Caledonian Road, King’s Cross, London, England, and of No. 305-7 Flinders Lane, Melbourne, in the State of Victoria, Commonwealth of Australia, Varnish and Colour Manufacturers.

No. of class : 47.
Description of goods : Grease for lubricating purposes.

No. of application : 9262.
Date : 29th December, 1910.

TRADE MARK.

Doublever

NAME.

CHARLES LEETHEM AND Co., of Arundel Factory, Landport Street, Portsmouth, England, Manufacturers.

No. of class : 38.
Description of goods : Stays, corsets, belts for wear, ladies’ blouses, and ladies’ shirts.

No. of application : 9336.
Date : 24th January, 1911.

TRADE MARK.

**PRIMA DONNA
S. L.
CORSETS.**

The essential particulars of the trade mark are the following—the words “Prima Donna”; and any right to the exclusive use of the added matter is disclaimed.

NAME.

CHAPPELL, ALLEN, AND Co., LIMITED, of Patriotic Corset Works, Redfield, Bristol, England, Corset-manufacturers.

No. of class : 38.
Description of goods : Corsets.

No. of application : 9337.
Date : 24th January, 1911.

TRADE MARK.

PRIMA DONNA

The essential particular of this trade mark is the distinctive mark and the words “Prima Donna”; and any right to the exclusive use of the letters “S.L.” is disclaimed.

NAME.

CHAPPELL, ALLEN, AND Co., LIMITED, of Patriotic Corset Works, Redfield, Bristol, England, Corset-manufacturers.

No. of class : 38.
Description of goods : Corsets.

No. of application : 9338.
Date : 24th January, 1911.

TRADE MARK.



The essential particular of this trade mark is the distinctive mark; and any right to the exclusive use of the letters “S.L.” is disclaimed.

NAME.

CHAPPELL, ALLEN, AND Co., LIMITED, of Patriotic Corset Works, Redfield, Bristol, England, Corset-manufacturers.

No. of class : 38.
Description of goods : Corsets.

No. of application : 9355.
Date : 1st February, 1911.

TRADE MARK.

“Diva” C.K.

The essential particular of the trade mark is the following—the distinctive mark; and any right to the exclusive use of the letters “C.K.” is disclaimed.

NAME.

CHARLES KULLMANN ET CIE, of No. 223 Chaussee D’Anvers, Brussels, Belgium, Manufacturers.

No. of class : 38.
Description of goods : Stays or corsets, belts, supporters, hose-suspenders, and hosiery.

No. of application: 9421.

Date: 2nd March, 1911.

TRADE MARK.



The applicants claim that the said trade mark has been used by them and their predecessors in business in respect of the articles mentioned for upwards of sixteen years before the 1st January, 1890.

NAME.

NEEDHAM, VEALL, AND TYZACK, LIMITED, of Eye Witness Works, Milton Street, Sheffield, England, Manufacturers and Merchants.

No. of class: 12.

Description of goods: Cutlery and edge tools, files and saws.

No. of application: 9423.

Date: 2nd March, 1911.

TRADE MARK.



The applicants claim that the said trade mark has been used by them and their predecessors in business in respect of the articles mentioned for upwards of fifty-five years before the 1st January, 1890.

NAME.

NEEDHAM, VEALL, AND TYZACK, LIMITED, of Eye Witness Works, Milton Street, Sheffield, England, Manufacturers and Merchants.

No. of class: 12.

Description of goods: Cutlery and edge tools, files and saws.

No. of application: 9482.

Date: 18th March, 1911.

TRADE MARK.



The essential particular of this trade mark is the distinctive label.

NAME.

CALDWELL'S INKS PROPRIETARY, LIMITED, of Yarra Bank Road, South Melbourne, in the Commonwealth of Australia.

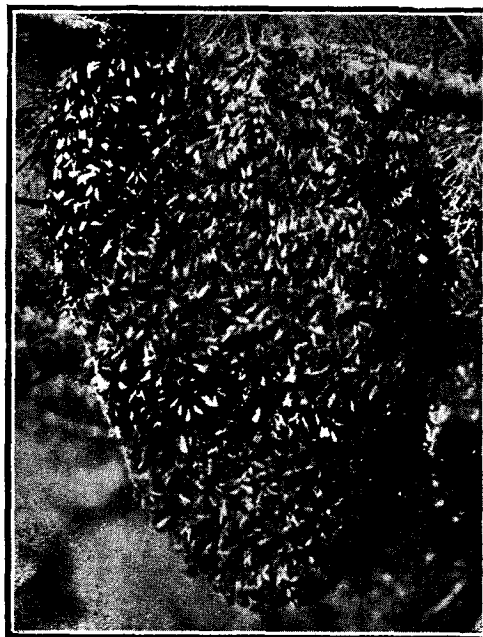
No. of class: 50.

Description of goods: Boot-polish.

No. of application: 9503.

Date: 27th March, 1911.

TRADE MARK.



"SWARM" BRAND.

The essential particulars of this trade mark are the device and word "Swarm"; and any right to the exclusive use of the added matter is disclaimed.

NAME.

TRYTHALL AND HEATH, of Buzzcroft Apiaries, Cambridge, in the Dominion of New Zealand, Bee-farmers.

No. of class: 42.

Description of goods: Honey, beeswax, and honey-vinegar.

No. of application: 9525.

Date: 6th April, 1911.

TRADE MARK.



LION'S HEAD

NAME.

JAMES WATSON AND CO., LIMITED, of 97 Seagate, Dundee, Scotland, Distillers.

No. of class: 43.

Description of goods: Fermented liquors and spirits.

No. of application : 9548.
Date : 10th April, 1911.

TRADE MARK.



STAG.

NAME.

MARTIN, SONS, AND CO., of 225 Princes Street, Dunedin, in the Dominion of New Zealand, Wholesale Saddlers.

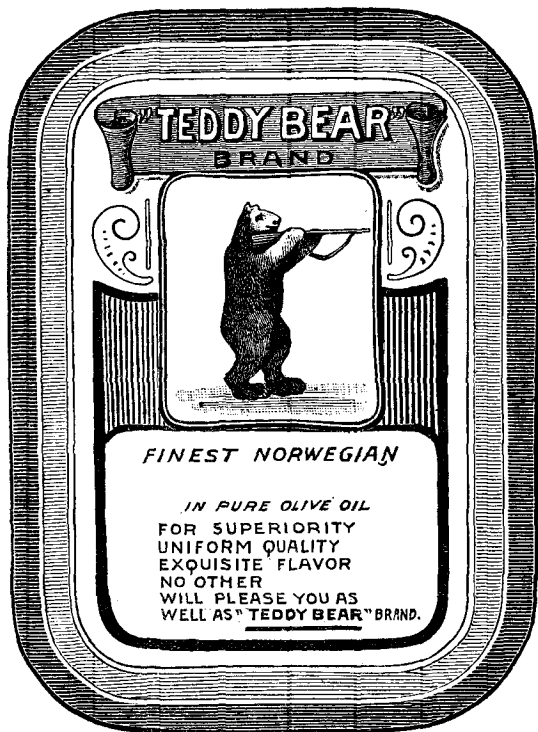
No. of class : 34.

Description of goods: Woollen checks, felt, and other cloths, and stuffs of wool, worsted, or hair.

[NOTE.—This application is regazetted on account of a clerical error in the former notice.]

No. of application : 9569.
Date : 20th April, 1911.

TRADE MARK.



The essential particulars of the trade mark are the following—the device shown, representing a bear standing on its hind legs and holding a gun with its fore feet, and the words "Teddy Bear"; and any right to the exclusive use of the added matter is disclaimed.

NAME.

JOHN BRAADLAND, LIMITED, a joint-stock company, of 33, 35, 37, and 39 Nedre Strandgade, Stavanger, Norway.

No. of class : 42.

Description of goods: Sardines, anchovies, herrings, and all sorts of canned and preserved food.

[NOTE.—This application is regazetted on account of a clerical error in the former notice.]

No. of application : 9600.
Date : 28th April, 1911.

TRADE MARK.

The word

GLIPIN.

The essential particular of this trade mark is the word "Glipin."

NAME.

THE WILSON MALT EXTRACT COMPANY, of Water of Leith, Dunedin, in the Dominion of New Zealand.

No. of class : 42

Description of goods: Malt-extract.

No. of application : 9616.
Date : 8th May, 1911.

TRADE MARK.

Bijou

The essential particular of this trade mark is the word "Bijou."

NAME.

ARTIENGESELLSCHAFT VORMALS SEIDEL AND NAUMANN, of Dresden, Saxony, Manufacturers.

No. of class : 6.

Description of goods: Typewriting-machines.

No. of application : 9620.
Date : 9th May, 1911.

TRADE MARK.



The essential particulars of this trade mark are the combination of devices and the word "Aquatite"; and any right to the exclusive use of the added matter is disclaimed.

NAME.

PHILIP MICHAEL COHEN, trading as "Cohen and Wilks," of 44 Derby Street, Cheetham, Manchester, England, Manufacturer.

No. of class : 38.

Description of goods: Waterproof and rainproof garments.

No. of application: 9622.

Date: 10th May, 1911.

The words TRADE MARK.

WILSON'S CURBALINE.

The essential particular of this trade mark is the word "Curbaline."

NAME.

THOMAS WILSON, of Hakataramea, in the Provincial District of Canterbury, in the Dominion of New Zealand, Farrier.

No. of class: 2.

Description of goods: Horse-blisters.

No. of application: 9624.

Date: 10th May, 1911.

TRADE MARK.

MACKENZIE GRANT'S
FINE OLD
SCOTCH WHISKY

Guaranteed Pure.

Sole Proprietors:

Mackenzie Grant & Co
GLASGOW, SCOTLAND

The essential particular of this trade mark is the distinctive label.

NAME.

The persons trading as "MACKENZIE, GRANT, AND CO.," of 72 Bath Street, Glasgow, Scotland, Merchants and Exporters.

No. of class: 43.

Description of goods: Whisky.

No. of application: 9627.

Date: 11th May, 1911.

The word TRADE MARK.

SHINOLA.

The essential particular of this trade mark is the word "Shinola."

NAME.

GEORGE FILGATE KELLY, of Carlton Gore Road, Newmarket, Auckland, in the Dominion of New Zealand, Grocer's Assistant.

No. of class: 50.

Description of goods: An oilcloth and linoleum polish.

No. of application: 9628.

Date: 12th May, 1911.

The word TRADE MARK.

DINKUM.

The essential particular of this trade mark is the word "Dinkum."

NAME.

ALFRED EDWARD BAYLIS, of Pihama, in the Provincial District of Taranaki, in the Dominion of New Zealand, Farmer.

No. of class: 2.

Description of goods: An ointment for veterinary purposes.

No. of application: 9629.

Date: 13th May, 1911.

The word TRADE MARK.

VICTOR.

NAME.

WILLIAM PARTON AND SON, of 32 Pirie Street, Wellington, in the Dominion of New Zealand, Plumbers.

No. of class: 13.

Description of goods: Milk-coolers, milk-cans, milk-buckets, milk-strainers, and sheet-metal dairy-factory utensils, such as milk and cheese vats made of metal; baths, sinks, hot-water cylinders, and other sheet-metal goods of a like nature; brass-metal goods, such as taps, unions, and the like.

No. of application: 9630.

Date: 13th May, 1911.

The word TRADE MARK.

VICTOR.

NAME.

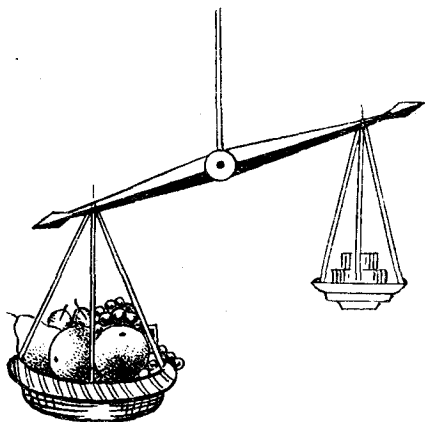
WILLIAM PARTON AND SON, of 32 Pirie Street, Wellington, in the Dominion of New Zealand, Plumbers.

No. of class: 18.

Description of goods: Drainage contrivances, such as water-closet flushing-cisterns, water-closet pedestals, and goods of the like description; ventilating-apparatus.

No. of application : 9631.
Date : 15th May, 1911.

TRADE MARK.



The essential particular of this trade mark is the design.

NAME.

WAIGHT AND SONS, of Warrenheip Gardens, Roxburgh, in the Dominion of New Zealand.

No. of class : 42.
Description of goods : Fruit.

No. of application : 9632.
Date : 15th May, 1911.

TRADE MARK.

The word

LINOSHINE.

The essential particular of this trade mark is the word "Linoshine."

NAME.

ARTHUR JAMES SOUSBY BLYTHE, of Te Awamutu, Waikato, in the Provincial District of Auckland, in the Dominion of New Zealand, Coachbuilder.

No. of class : 50.
Description of goods : Floor and furniture polishes.

No. of application : 9635.
Date : 16th May, 1911.

TRADE MARK.



The essential particular of the trade mark is the following—the distinctive mark; and any right to the exclusive use of the letters "D.G.W" is disclaimed.

NAME.

D. AND W. GIBBS, LIMITED, of City Soap-works, High Street, Wapping, London E., England, Soap-makers.

No. of class : 48.
Description of goods : Toilet-soaps and shaving-soaps.

No. of application : 9637.
Date : 17th May, 1911.

TRADE MARK.

The word

TERROR.

NAME.

SARGOOD, SON, AND EWEN, LIMITED, of Dunedin, in the Provincial District of Otago, and elsewhere, in the Dominion of New Zealand, Warehousemen.

No. of class : 38.
Description of goods : Boots.

No. of application : 9638.
Date : 18th May, 1911.

TRADE MARK.

The words

GOLDEN RAY.

The essential particulars of this trade mark are the words "Golden Ray."

NAME.

ELLIS AND MANTON, of Wellington, in the Dominion of New Zealand.

No. of class : 47.
Description of goods : Soaps, starch, and all other lines in this class, with the exception of candles.

No. of application : 9639.
Date : 19th May, 1911.

TRADE MARK.



The essential particulars of the trade mark are as follows—the distinctive device; and any right to the exclusive use of the added matter, including the letters "P.D.," is disclaimed.

NAME.

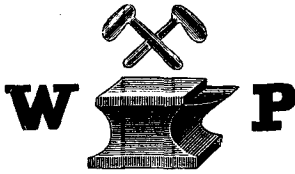
PERKS, DANE, AND COMPANY PROPRIETARY, LIMITED, of 380 Flinders Street, Melbourne, in the State of Victoria, Commonwealth of Australia, Indentors, Importers, and General Machinery Merchants.

No. of class : 47.
Description of goods : Lubricating-oils, greases, and compounds.

No. of application: 9640.

Date: 20th May, 1911.

TRADE MARK.



The applicants claim that the said trade mark has been used by them and their predecessors in business since about the year 1844.

NAME.

WARD AND PAYNE, of West Street, Sheffield, England, Manufacturers.

No. of class: 12.

Description of goods: Cutlery, saws, files, sheep and other shears, scythes, sickles, and other edge tools included in this class.

No. of application: 9644.

Date: 23rd May, 1911.

TRADE MARK.

The words

ANTI-RHEU-GEM.

NAME.

ALFRED CONSTANTINE, trading as "The Anti-rheu-gem" Company, of 219 Wells Street, Birmingham, England, Manufacturers.

No. of class: 11.

Description of goods: All goods included in this class.

[NOTE.—Class 11 is for "Instruments, apparatus, and contrivances, not medicated, for surgical or curative purposes, or in relation to the health of men or animals."]

No. of application: 9645.

Date: 23rd May, 1911.

TRADE MARK.

The words

DAISY BRAND.

The essential particular of this trade mark is the word "Daisy"; and any right to the exclusive use of the word "Brand" is disclaimed.

NAME.

DONALD HUTCHEON and WILLIAM HAY, trading as "The Ceylon Tea Company," of 63 Dixon Street, Wellington, in the Dominion of New Zealand.

No. of class: 42.

Description of goods: Tea and cocoa.

J. C. LEWIS,
Registrar.

Trade Marks registered.

LIST of Trade Marks registered from the 12th to the 25th May, 1911, inclusive:—

- Nos. 7394/9271, 7395/9272, and 7396/9273.—Dunlop Rubber Company of Australasia, Limited. Classes 38 and 40. (*Gazette* No. 7, of the 26th January.)
- No. 7398/9281.—Rooke, Tompsitt, and Co. Class 3. (*Gazette* No. 7, of the 26th January.)
- No. 7399/9282.—Chipman Limited. Class 6. (*Gazette* No. 7, of the 26th January.)
- No. 7400/9291.—D. Anderson and Son, Limited. Class 50. (*Gazette* No. 7, of the 26th January.)
- Nos. 7401/9292 and 7402/9293.—The Crown Cork Company, Limited. Classes 6 and 13. (*Gazette* No. 7, of the 26th January.)
- No. 7403/9296.—The General Electric Company, Limited. Class 13. (*Gazette* No. 7, of the 26th January.)
- No. 7404/9310.—F. Kornfeld and H. Barden, trading as "Barden and Co." Class 48. (*Gazette* No. 12, of the 9th February.)
- No. 7405/9319.—Borsdorff and Co. Class 38. (*Gazette* No. 12, of the 9th February.)
- No. 7406/9326 and 7407/9327.—Borsdorff and Co. Class 38. (*Gazette* No. 12, of the 9th February.)
- No. 7408/9335.—W. Sandorides and Co., Limited. Class 45. (*Gazette* No. 12, of the 9th February.)
- No. 7409/9339.—Pearson's Antiseptic Company, Limited. Class 2. (*Gazette* No. 12, of the 9th February.)
- No. 7411/9371.—F. Hullen. Class 48. (*Gazette* No. 15, of the 23rd February.)
- No. 7412/9204.—Kolok Manufacturing Company, Limited. Class 39. (*Gazette* No. 108, of the 15th December, 1910.)
- Nos. 7414/9206, 7415/9210, and 7416/9211.—Alaska Packers' Association. Class 42. (*Gazette* No. 108, of the 15th December, 1910.)
- Nos. 7417/9368 and 7418/9369.—W. G. Dudfield. Classes 35 and 38. (*Gazette* No. 15, of the 23rd February.)
- No. 7419/9324.—W. W. White and Co., Limited. Class 42. (*Gazette* No. 12, of the 9th February.)
- No. 7420/9250.—Hallenstein Bros., Limited. Class 38. (*Gazette* No. 15, of the 23rd February.)
- No. 7421/9325.—W. H. Steele, trading as "The Scout Packing Company." Class 42. (*Gazette* No. 12, of the 9th February.)
- Nos. 7423/9378 and 7423/9379.—Aachener Stahlwaarenfabrik Actiengesellschaft. Classes 7 and 22. (*Gazette* No. 15, of the 23rd February.)
- No. 7424/9010.—The American Dehydrating Company. Class 42. (*Gazette* No. 108, of the 15th December, 1910.)
- No. 7425/9354.—The Australian Wood Pipe Company, Limited. Class 50. (*Gazette* No. 15, of the 23rd February.)
- No. 7426/9358.—P. J. Delacour. Class 38. (*Gazette* No. 15, of the 23rd February.)
- No. 7427/9359.—The Birmingham Photographic Company, Limited. Class 39. (*Gazette* No. 15, of the 23rd February.)
- No. 7428/9367.—T. H. Hall and Co. Class 47. (*Gazette* No. 15, of the 23rd February.)
- No. 7429/9134.—The Motor Import Company, Limited. Class 1. (*Gazette* No. 104, of the 1st December, 1910.)
- No. 7430/9364.—G. B. Borsalino Fu Lazzaro and Co. Class 38. (*Gazette* No. 15, of the 23rd February.)
- No. 7431/9373.—The Wellington Woollen Manufacturing Company, Limited. Class 38. (*Gazette* No. 15, of the 23rd February.)
- No. 7432/9363.—C. J. Badham. Class 50. (*Gazette* No. 15, of the 23rd February.)
- No. 7433/9375.—J. E. Pickles and Co., trading also as "Joseph Pickles and Son." Class 34. (*Gazette* No. 15, of the 23rd February.)
- No. 7434/9376.—H. Berry and Co. Class 5. (*Gazette* No. 15, of the 23rd February.)
- No. 7435/8726.—Bray Bros. Class 42. (*Gazette* No. 54, of the 2nd June, 1910.)
- No. 7436/9249.—Bennett and Wood, Limited. Class 40. (*Gazette* No. 2, of the 12th January.)
- No. 7437/9316.—Holophane Limited. Class 13. (*Gazette* No. 15, of the 23rd February.)
- Nos. 7438/9317 and 7439/9318.—Holophane Limited. Classes 15 and 16. (*Gazette* No. 15, of the 23rd February.)
- No. 7440/9328.—Borsdorff and Co. Class 38. (*Gazette* No. 15, of the 23rd February.)
- No. 7441/9345.—W. Fisher. Class 16. (*Gazette* No. 15, of the 23rd February.)
- No. 7442/9350.—E. M. Dickinson, Limited. Class 12. (*Gazette* No. 15, of 23rd February.)
- No. 7443/9352.—The Adelphi Polish Company, Limited. Class 50. (*Gazette* No. 15, of the 23rd February.)
- Nos. 7444/9360 and 7445/9361.—Brampton Bros., Limited. Classes 13 and 37. (*Gazette* No. 15, of the 23rd February.)
- No. 7446/9366.—McIntyre Bros. Proprietary, Limited. Class 42. (*Gazette* No. 15, of the 23rd February.)

No. 7447/9381.—Commonwealth Oil Corporation, Limited. Class 47. (*Gazette* No. 15, of the 23rd February.)

No. 7448/9101.—The Daisy Vacuum Cleaner Company, Limited. Class 6. (*Gazette* No. 18, of the 9th March.)

No. 7449/9387.—W. T. Henley's Telegraph Works Company, Limited. Class 8. (*Gazette* No. 18, of the 9th March.)

Nos. 7450/9388, 7451/9389, 7452/9390, and 7453/9391.—W. T. Henley's Telegraph Works Company, Limited. Classes 25, 32, 39, and 40. (*Gazette* No. 18, of the 9th March.)

Nos. 7454/9392, 7455/9394, and 7456/9395.—La Societe Anonyme Des Mines Et Fonderies De Zinc De La Vieille Montagne. Class 5. (*Gazette* No. 18, of the 9th March.)

No. 7457/9401.—Charles Begg and Co., Limited. Class 9. (*Gazette* No. 18, of the 9th March.)

No. 7458/9028.—Borsalino Guiseppe E. Fratello Societa Anonima. Class 38. (*Gazette* No. 18, of the 9th March.)

Nos. 7459/9117 and 7460/9118.—H. S. Welcome, trading as "Burrongs, Welcome, and Co." Classes 3 and 42. (*Gazette* No. 18, of the 9th March.)

No. 7461/9168.—The Pompeian Manufacturing Company. Class 48. (*Gazette* No. 18, of the 9th March.)

No. 7462/9398.—The Wm. Rose Hose Company, Limited. Class 50. (*Gazette* No. 18, of the 9th March.)

No. 7463/9399.—W. A. Ross and Sons, Limited. Class 44. (*Gazette* No. 18, of the 9th March.)

No. 7464/9406.—A. Latham. Class 50. (*Gazette* No. 23, of 23rd March.)

Trade Mark Renewal Fees paid.

FEEES paid for the renewal of the undermentioned Trade Marks for fourteen years from the date first mentioned:—

No. 1981/1596.—10th May, 1911.—T. P. Griffin, "T. P. Griffin and Co.," London, Eng. 25th May, 1911.

No. 1985/1597.—13th May, 1911.—Raleigh Cycle Company, Limited, Nottingham, Eng. 13th May, 1911.

No. 1999/1795.—25th May, 1911.—Hartford Rubber Works Company (Incorporated), Hartford, U.S.A. 25th May, 1911.

No. 2000/1613.—25th May, 1911.—Dunville and Co., Limited, Belfast, Ireland. 16th May, 1911.

No. 2080/1677.—18th June, 1911.—T. Gorman, Nelson, N.Z. 22nd May, 1911.

No. 2051/1658.—1st July, 1911.—A. van Hoboken and Co., Wynhaven, Holland. 16th May, 1911.

No. 2052/1752.—1st July, 1911.—British-American Tobacco Company, Limited, London, Eng. (Ogden's Limited—T. Ogden, Limited.) 17th May, 1911.

No. 2066/1690 and 2069/1663.—29th July, 1911.—British-American Tobacco Company, Limited, London, Eng. (American Tobacco Company.) 17th May, 1911.

Nos. 2046/1645 and 2053/1806.—1st July, 1911.—The Quaker Oats Company, Chicago, U.S.A. (The American Cereal Company.) 25th May, 1911.

Trade Marks removed from the Register.

TRADe Marks removed from the Register owing to the non-payment of the renewal fee, from the 12th to the 25th May, 1911, inclusive:—

No. 1910/1528.—13th February, 1897.—McIntyre Bros., Melbourne, Vic. Class 42.

No. 1912/1529.—13th February, 1897.—F. Joyce and Co., Limited, London, Eng. Class 19.

No. 1914/1786 and 1915/1787.—19th February, 1897.—Norton and Co., Aramoho, N.Z. Classes 47 and 48.

No. 1917/1531.—23rd February, 1897.—F. B. Ovenden, Gisborne, N.Z. Class 50.

No. 1918/1530.—23rd February, 1897.—F. Joyce and Co., Limited, London, Eng. Class 20.

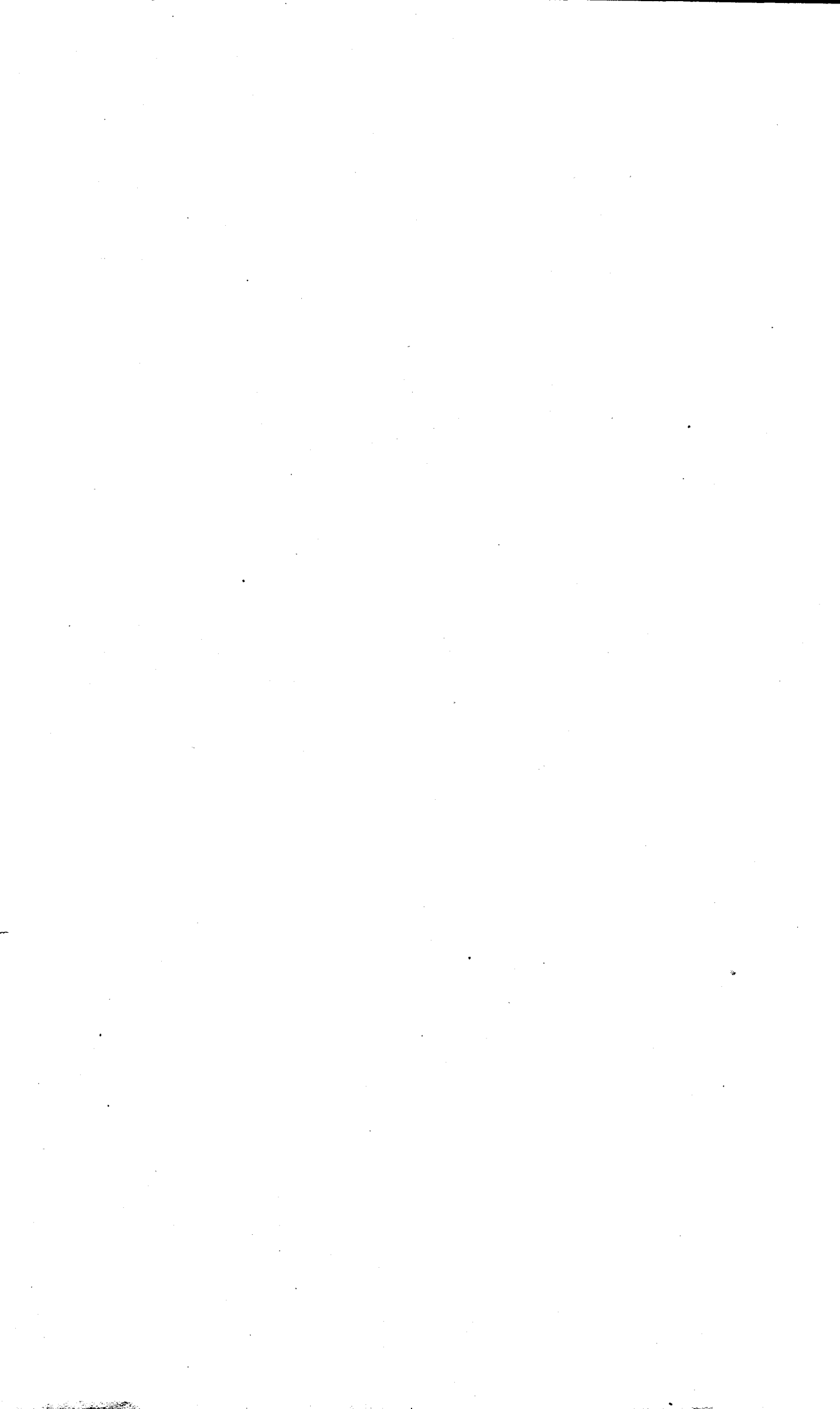
No. 1919/1539.—25th February, 1897.—Borden's Condensed Milk Company, Montclair, U.S.A. (New York Condensed Milk Company.) Class 42.

No. 1921/1550 and 1922/1555.—25th February, 1897.—Bishop and Gardner, Christchurch, N.Z. Classes 47 and 50.

Subsequent Proprietors of Trade Marks registered.

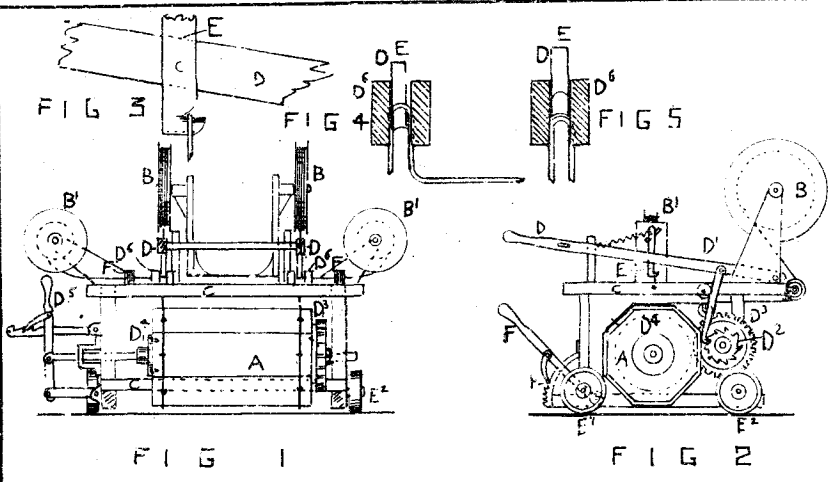
[NOTE.—The name of the former proprietor is given in brackets; the date is that of registration.]

NO. 2813/2444.—The Plantekoa Proprietary, Limited, a private company, incorporated under the Companies Act, 1908, and having its registered office at Lambton Quay, Wellington, New Zealand. (J. Aston and W. J. Harvey.) 16th May, 1911.

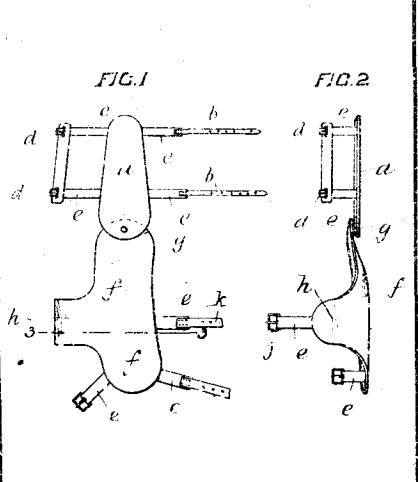


ILLUSTRATIONS OF INVENTIONS.

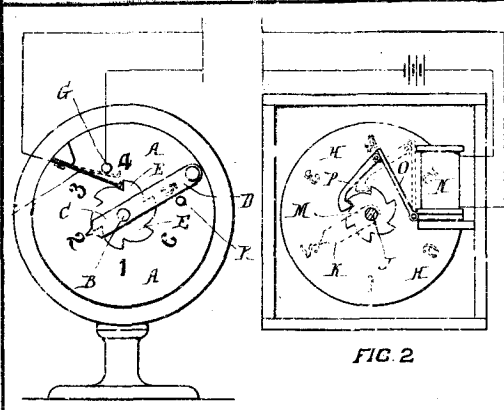
[These illustrations refer to the complete specifications accepted, and advertised in this *Gazette*.]



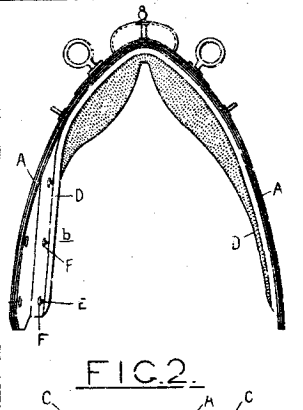
Box-wiring. Maloney. 27781.



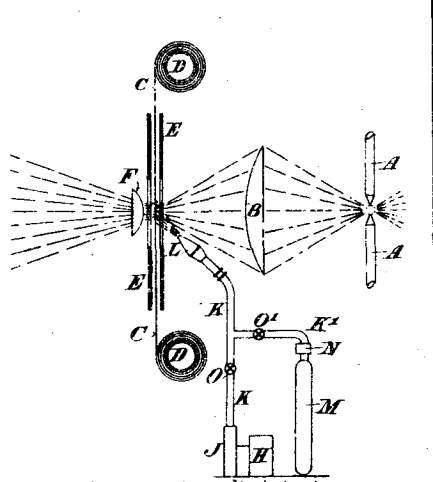
Boot Hook. Duxfield. 27787.



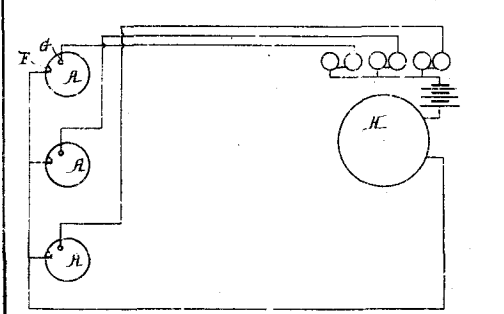
Indicator, Electric-message. Quartier 27973.



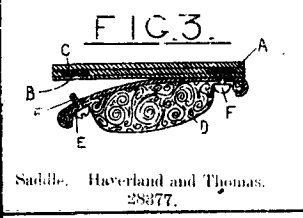
Saddle. Haverland and Thomas. 28377.



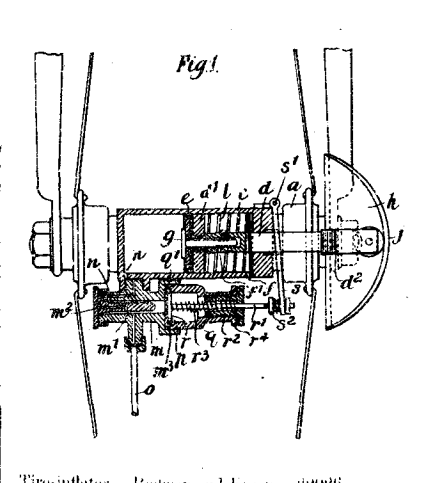
Cinematograph-film Explosion Preventer. Talbot. 29138.



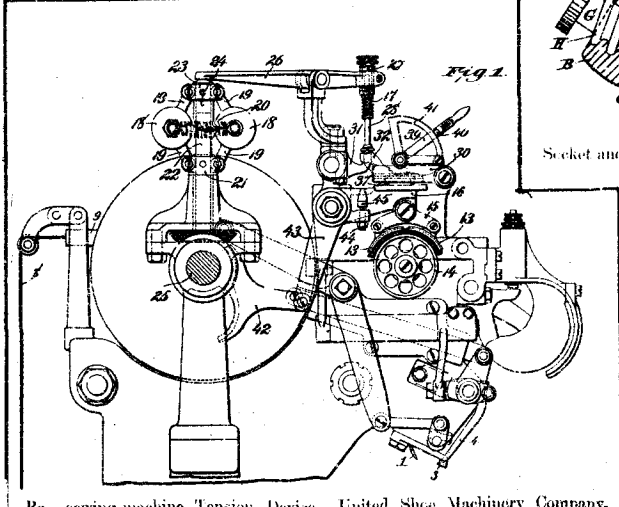
Indicator, Electric-message. Quartier 27973.



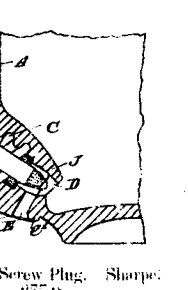
Saddle. Haverland and Thomas. 28377.



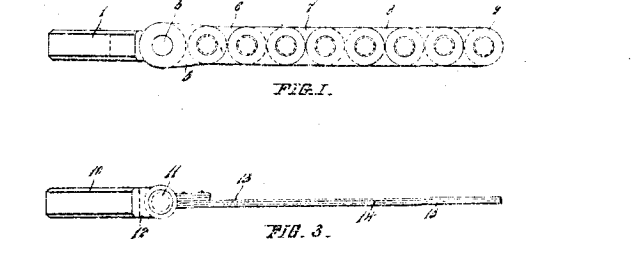
Tire-inflator. Rodway and Eason. 29026.



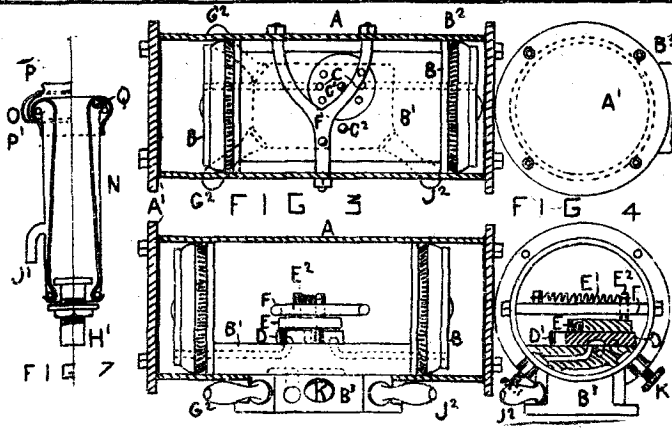
Box-sewing-machine Tension Device. United Shoe Machinery Company. (Meyer and Holmes.) 28111.



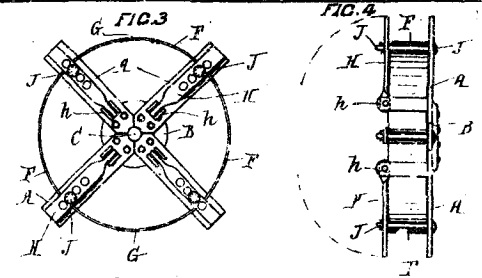
Socket and Screw Plug. Sharpe. 27748.



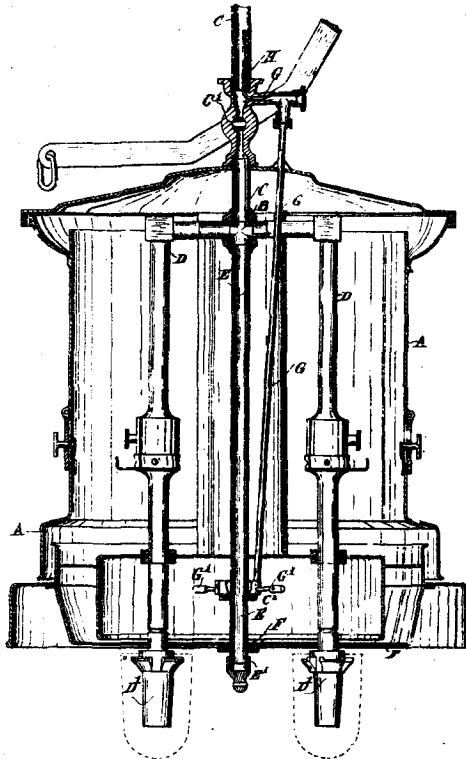
Spinner. Eggleston. 29326.



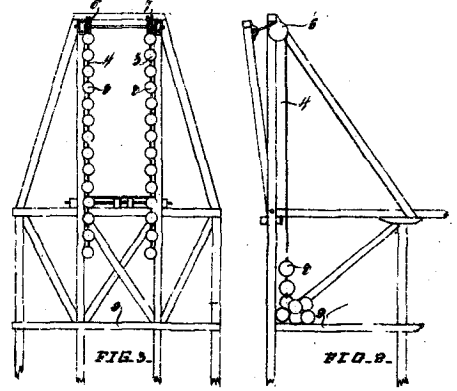
Milking-machinery. Storrie. 29302.



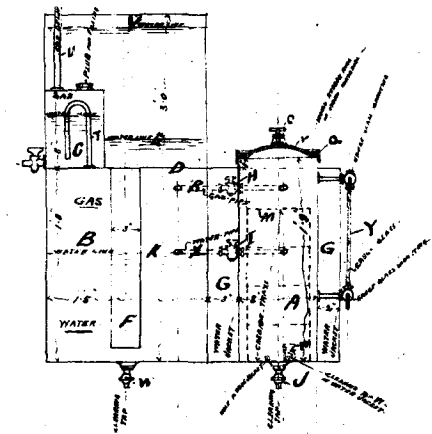
Wire-coiler, &c. Sutton. 28196



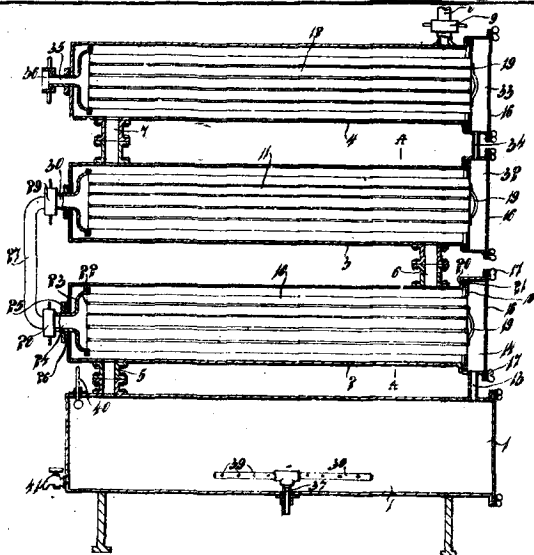
Gas-lamp. Stapelfeldt. (Houghton.) 27753.



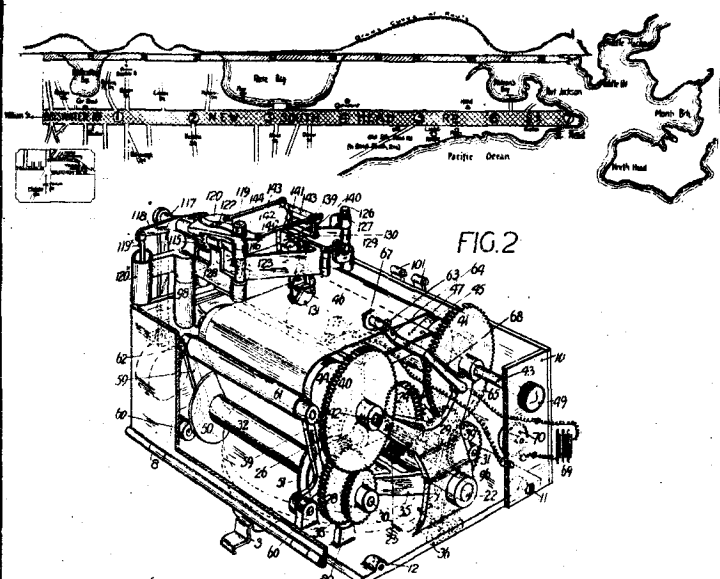
Bridge, Lifting. Gloyn. 29286.



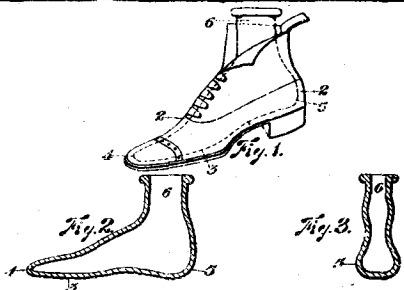
Acetylene-generator. Bishop and Miller. 29188.



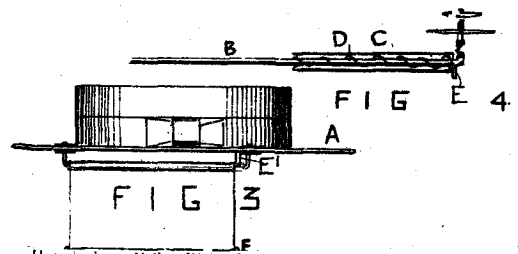
Milk-pasteurizer. Cooper. 29466.



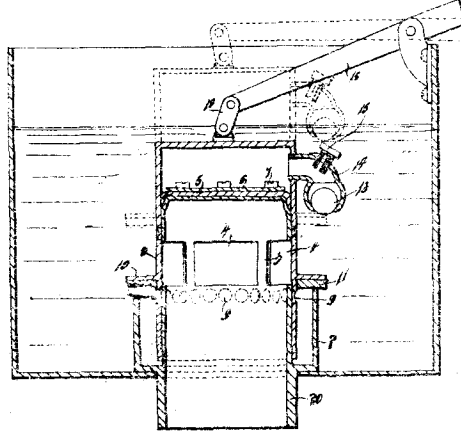
Indicator and Chart for Vehicles. Auto Road Chart (Limited.) (Taylor.) 29451.



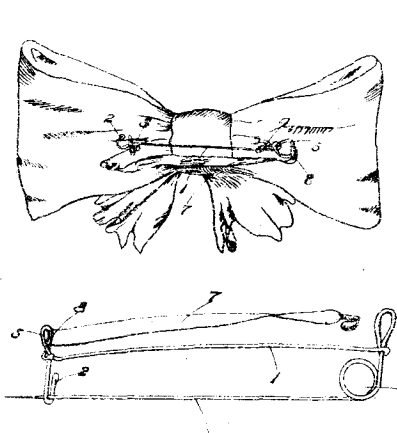
Boot-warmer, &c. Lewis. 29001.



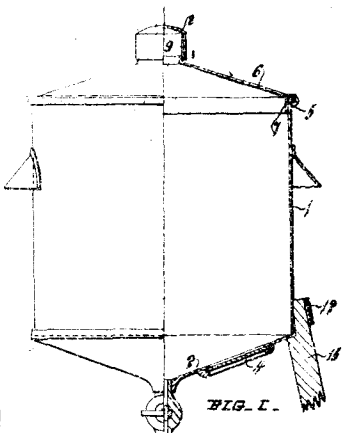
Hat-slide or Veil. Richardson. 29501.



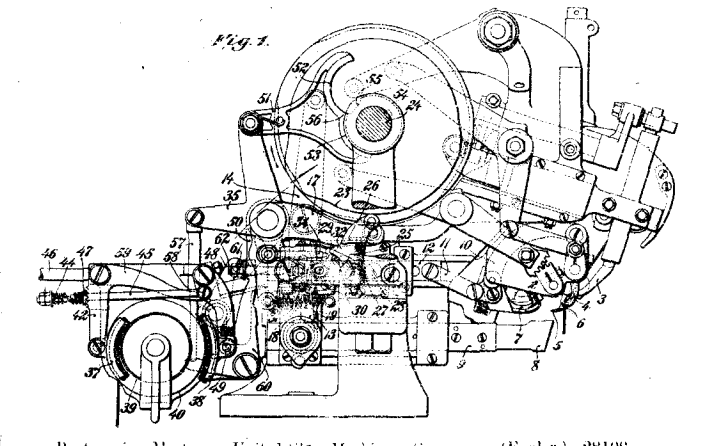
Closet-flush. Blockley. 28355.



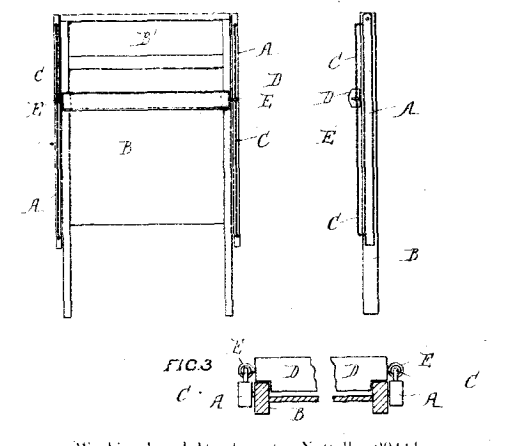
Hair-ornament Attachment. McDermid. 28490.



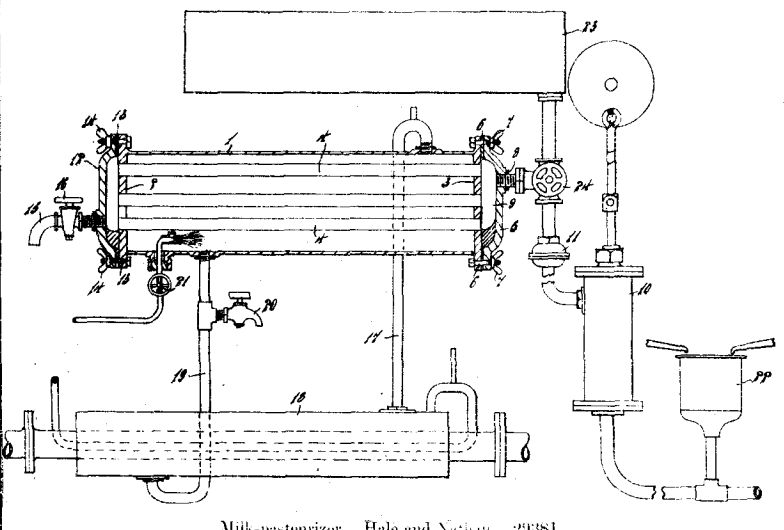
Milk separator. Brown. 29052.



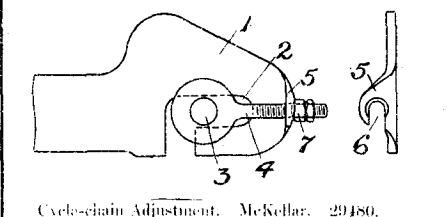
Boot-sewing Machine. United Shoe Machinery Company (Eppler.) 28109.



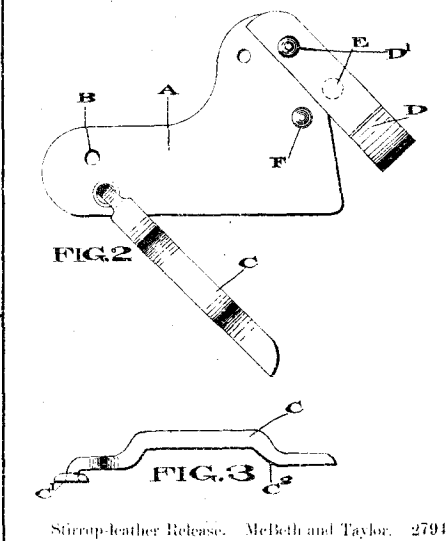
Washing-board Attachment. Nuttall. 29444.



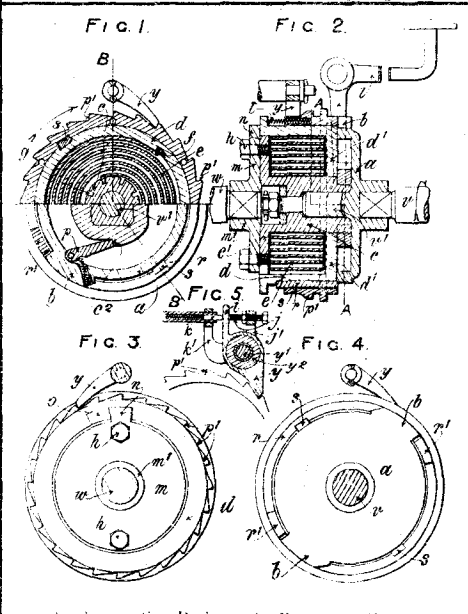
Milk-pasteurizer. Hale and Nathan. 29381.



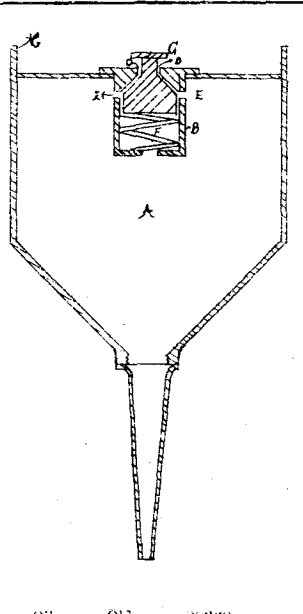
Cycle-chain Adjustment. McKellar. 29480.



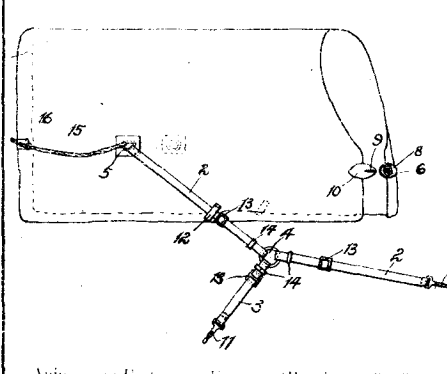
Stirrup-leather Release. McBeth and Taylor. 27948.



Engine-starting Device. Goodhart. 29517.



Oil-can. Oldman. 28368.



Animal-sing Fastener. Trasca (Beenic.) 29409.

